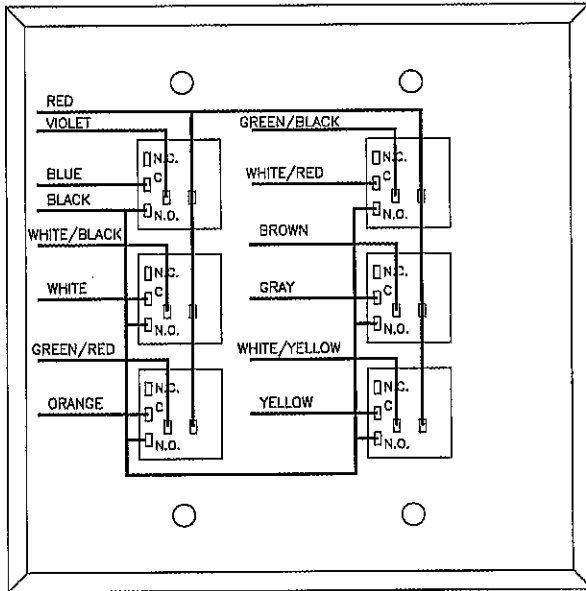
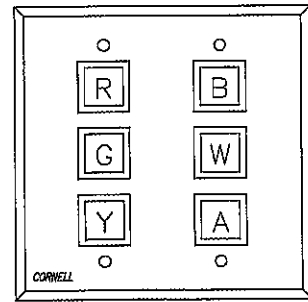


BACK VIEW

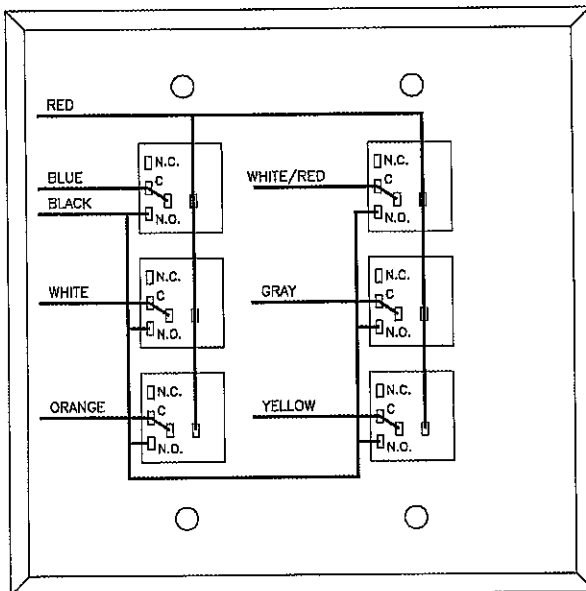


FRONT VIEW

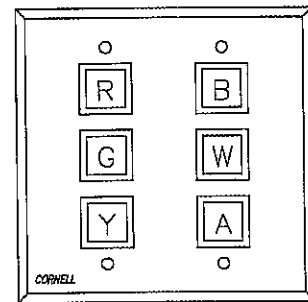


TOLERANCES UNLESS OTHERWISE SPECIFIED FRACTIONS DEC ANGLES $\pm$ $\pm$ $\pm$		<b>CORNELL</b> COMMUNICATIONS, INC. MILWAUKEE, WISCONSIN, USA		
APPROVALS	DATE	2000 SERIES CLINIC STATUS STANDARD S-236MS WIRING		
DRAWN	GJW	03/27/95		
CHECKED		SCALE	SIZE	DRAWING NO.
		NTS	A	032795-10
		DO NOT SCALE DRAWING		SHEET 1 OF 1

BACK VIEW



FRONT VIEW



TOLERANCES UNLESS OTHERWISE SPECIFIED FRACTIONS DEC ANGLES $\pm$ $\pm$ $\pm$		<b>CORNELL</b> COMMUNICATIONS, INC. MILWAUKEE, WISCONSIN, USA		
APPROVALS	DATE	2000 SERIES CLINIC STATUS STANDARD S-236AS WIRING		
DRAWN	GJW	03/27/95		
CHECKED		SCALE	SIZE	DRAWING NO.
		NTS	A	032795-9
		DO NOT SCALE DRAWING		SHEET 1 OF 1