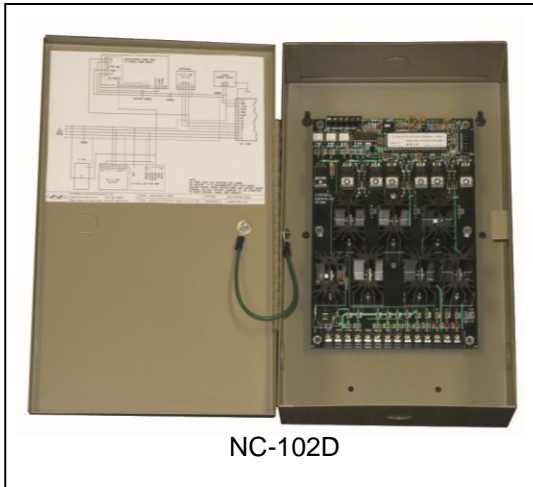




Triple Status Control Module NC-102D



Description: UL Listed *CORNELL* NC-102D Control Module provides reliable control over all functions of *CORNELL*'S Multi-Status Emergency Call Systems.

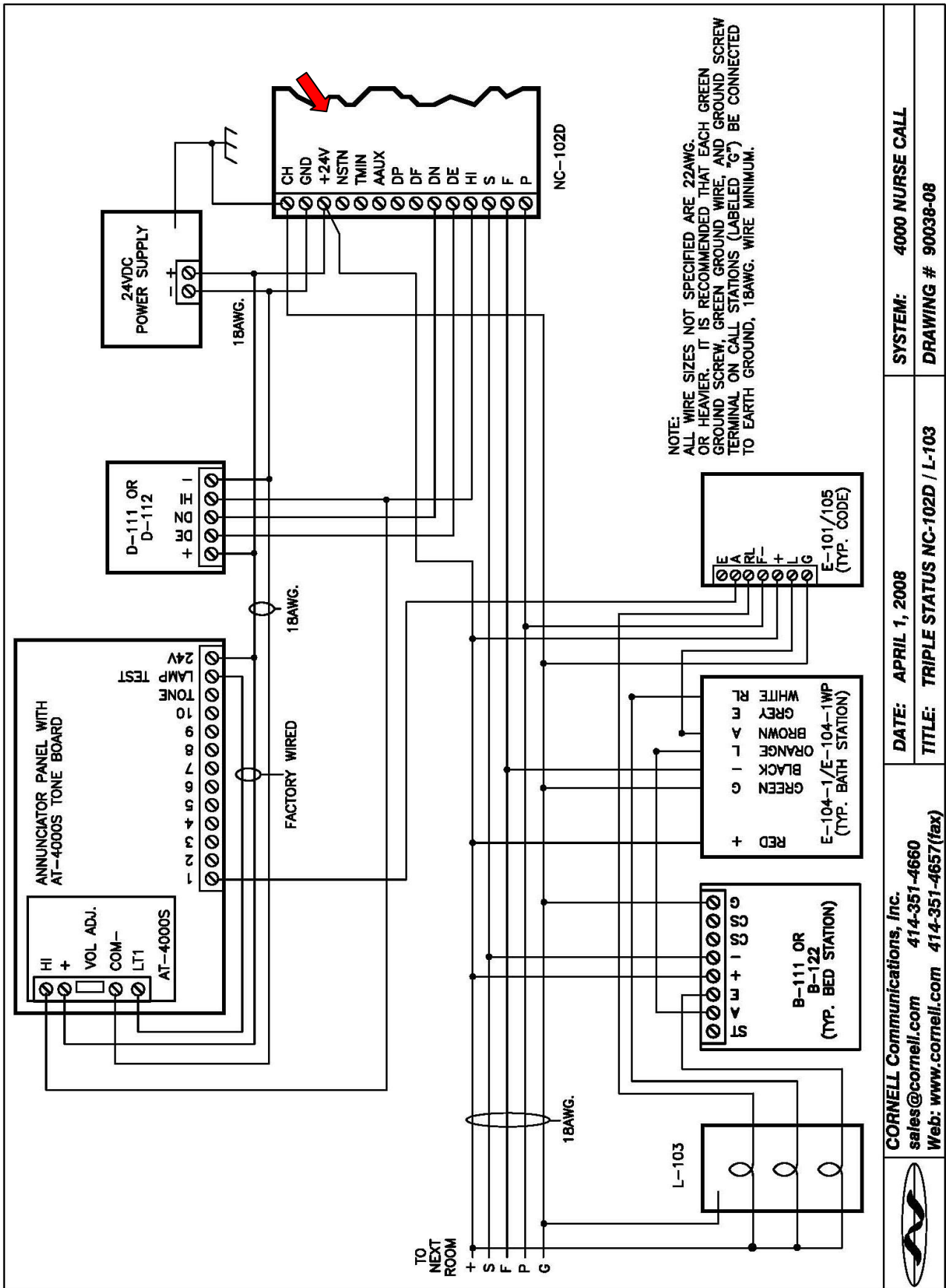
Operation: Cornell's NC-102D directs the call from one of Cornell's stations to the predetermined level of priority.

Mounting: Surface mounted enclosure.

Engineering Specifications: The contractor shall furnish and install the *CORNELL* NC-102D Control Module. The NC-102D offers automatic control of both audible and visual notification. The audible tones shall be sounded at all duty stations and at the multi-status Annunciator panel whenever a call is placed. The NC-102D offers up to 3 levels of Priority, as follows:
First Level – Highest priority, rapid flashing indicator & one beep per ½ second.
Second Level – Medium priority, slow flashing indicator & one beep per second.
Third Level – Lowest priority, steady-on indicator & one beep every six seconds.

Technical Information:

- Power Requirements: 24VDC
- Operating Environment: 50-120°F Indoor Non-condensing
- Physical Enclosure Dimensions: 7 ¼" W x 12" H x 3 ½" D
- Mounting: Surface mounted enclosure.
- Wiring: #22 AWG Minimum
- *Electrical Specifications:* The NC-102D shall derive its operating voltage from the *CORNELL* P-512243A Power Supply. The NC-102D operates at 24VDC.
P-, F- and S-, signal generators rated at 3A each. DN, DE & HI status outputs rated at .5A each.



SYSTEM: 4000 NURSE CALL
DRAWING # 90038-08

DATE: APRIL 1, 2008
TITLE: TRIPLE STATUS NC-102D / L-103

CORNELL Communications, Inc.
sales@cornell.com 414-351-4660
Web: www.cornell.com 414-351-4657 (fax)

