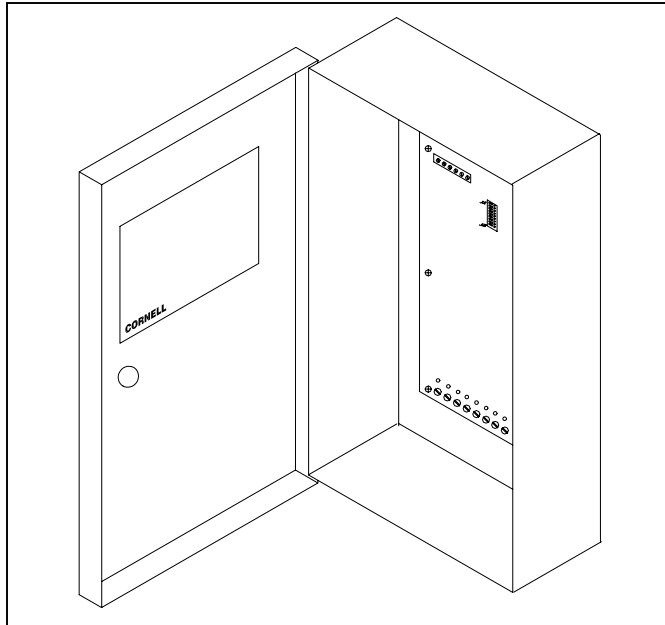




CORNELL

Emergency Response Systems

NC-102D Triple Status Control Module



NC-102D

UL Listed CORNELL NC-102D Control Module provides reliable control over all functions of CORNELL'S Emergency Call Systems.

ENGINEERING SPECIFICATIONS

The contractor shall furnish and install the CORNELL NC-102D Control Module.

The NC-102D offers both audible and visual notification. The audible tones shall be sounded at all duty stations and at the Annunciator panel whenever a call is placed. The NC-102D offers 3 levels of Priority.

First Level – Highest priority, rapid flashing indicator & one beep per ½ second.

Second Level – Medium priority, slow flashing indicator & one beep per second.

Third Level – Lowest priority, steady-on indicator & one beep every six seconds.

Electrical Specifications

The NC-102D shall derive its operating voltage from the CORNELL P-512243A Power Supply. The NC-102D operates at 24VDC.

P-, F- and S-, signal generators rated at 3A each. DN, DE & HI status outputs rated at .5A each.

Enclosure Size 7 ¼" W x 12" H x 3 ½" D

1-800-558-8957

CORNELL COMMUNICATIONS, INC.

Milwaukee, Wisconsin USA - 800-558-8957 - 414-351-4660 - Fax 414-351-4657
www.cornell.com - sales@cornell.com

