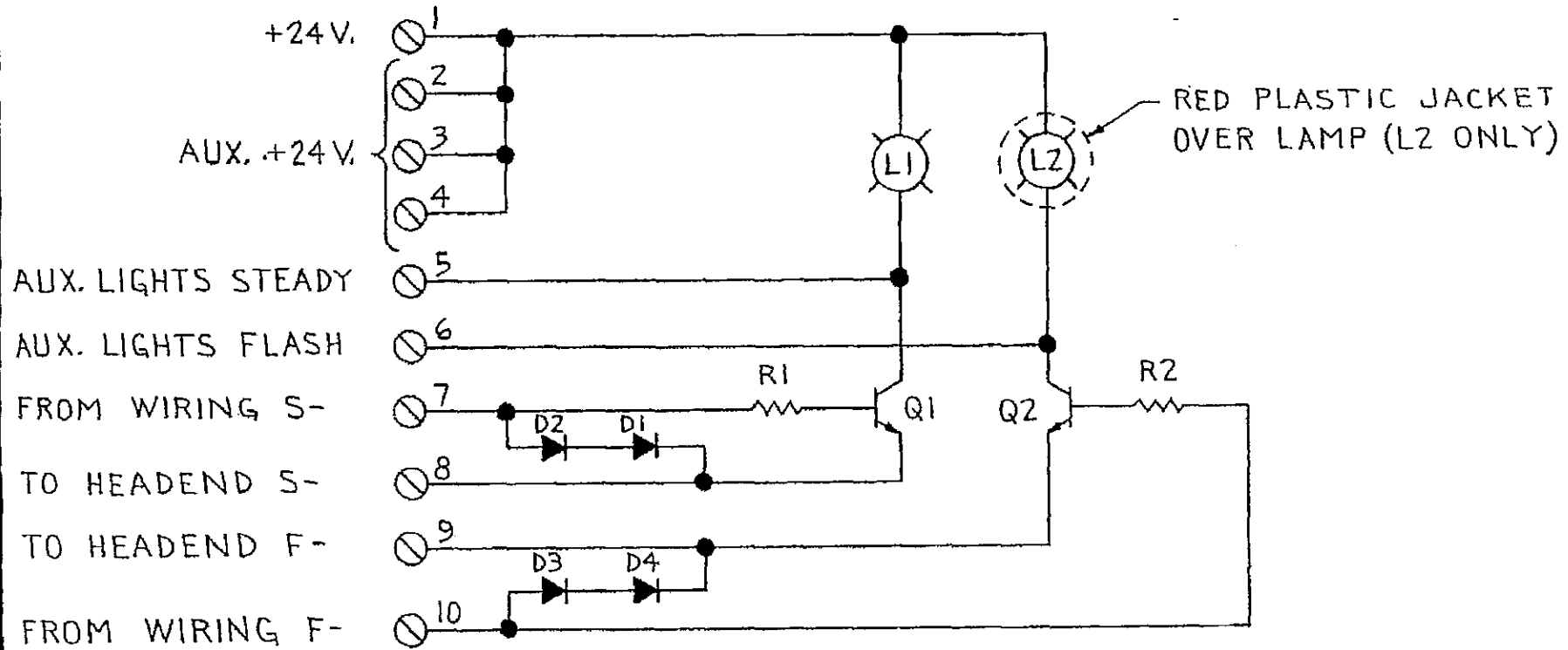




REVISIONS			
LTR	DESCRIPTION	DATE	APPROVED
C	REVISED & REDRAWN	3-17-88	



Q1, Q2 SILICON TRANSISTORS, TYPE D42C1  
 D1, 2, 3, 4 SILICON DIODE, TYPE AISA  
 L1, L2 LAMP, 28 VDC, 100 mA., TYPE 1820  
 R1, R2 RESISTOR, 820  $\Omega$ , 1/2 W.

TOLERANCES UNLESS OTHERWISE SPECIFIED			<b>CORNELL</b>		
FRACTIONS	DEC	ANGLES			
$\pm$	$\pm$	$\pm$	ZONE LIGHTS, Z102		
APPROVALS	DATE				
DRAWN	JJM 3-17-88		SCALE	SIZE	DRAWING NO.
CHECKED			—	A	021381-01-C
			DO NOT SCALE DRAWING		SHEET 1 OF 1