

**CORNELL MODEL A-4800M  
OR A-4800R MASTER PANEL**

[J11]  
ALARM:  
(-) (-)  
(-) (-)

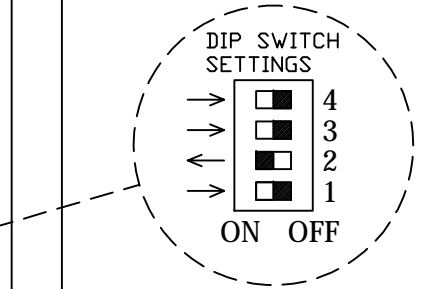
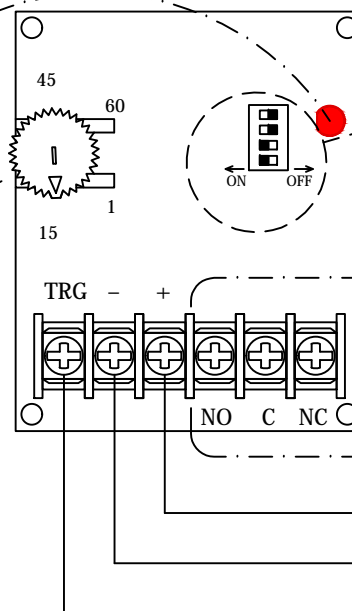
[J10]  
POWER:  
(-) (-) (+) (+)

THE "ALARM" OUTPUT [J11] OF 4800 SERIES MASTER PANELS IS INTENDED TO DRIVE REMOTE SOUNDERS. THIS OUTPUT NORMALLY PULSES IN UNISON WITH THE PANEL SOUNDER. IT CAN BE CONVERTED TO A STEADY OUTPUT VIA A SUITABLE TIMER MODULE

**ALTRONIX MODEL 6062  
TIMER MODULE**

TIMER ADJUSTMENT:  
AFTER SETTING DIP SWITCHES:

1. ACTUATE A CALL STATION
  2. OBSERVE TIMER MODULE LED
  3. SET TIMER DIAL TO APPROX. 8 SECONDS.
- WHEN THIS IS DONE, THE TIMER LED WILL REMAIN ILLUMINATED UNTIL A FEW SECONDS AFTER EITHER:
- \* "TONE SILENCE" IS ACTUATED -OR-
  - \* ALL CALLS HAVE BEEN ANSWERED



USE THIS CONTACT FOR CONNECTION TO ALARM SYSTEM, STROBE LIGHT, ETC.



**CORNELL Communications, Inc.**  
sales@cornell.com 414-351-4660  
Web: www.cornell.com 414-351-4657(fax)

**DATE:** FEB 15, 2017  
**TITLE:** ALARM OUTPUT VIA 6062 RELAY

**SYSTEM:** 4800 RESCUE ASSISTANCE  
**DRAWING #** 4800-62RLY | D4200-62RLY