



Power Supply – 12 or 24 Volt, 1 AMP P-512241A



P-512241A

Description: Power supply to be used with Cornell systems.

Rated Output: 1 amp continuous supply current at 12 VDC and 1 amp continuous supply current at 24 VDC.

Output Power: 1 amp continuous supply current at 12VDC (switch open), 1 amps continuous supply current at 24 VDC (switch closed), insure proper setting before installation. Manufactory set at 24VDC.

Circuit Protection: Short circuit and thermal overload protection.

Operation: Provides 1 amp continuous supply current at 12VDC, 1 amps continuous supply current at 24 VDC.

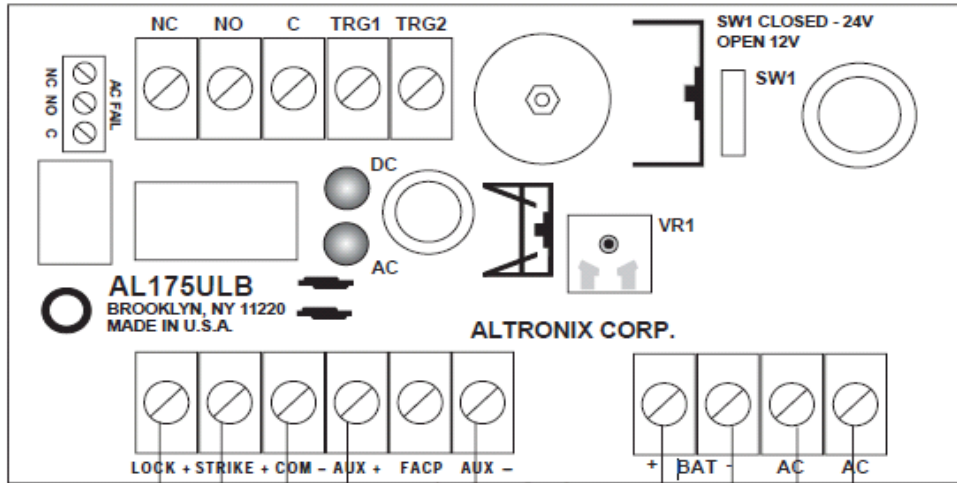
Mounting: Slotted keyholes make it suitable for vertical wall or rack mounting.

Engineering Specifications: The contractor shall furnish and install a *CORNELL* P-512241A Power Supply for use with the *CORNELL* Series System.

Technical Information:

- Input Power Requirements: 115VAC/60Hz, 0.6amps
- Operating Environment: 50-120°F Indoor Non-condensing
- Physical Enclosure Dimensions: 8.5" H x 7.5" W x 3.5" D
- Mounting: Surface mounted enclosure.
- Wiring: #18 AWG Minimum

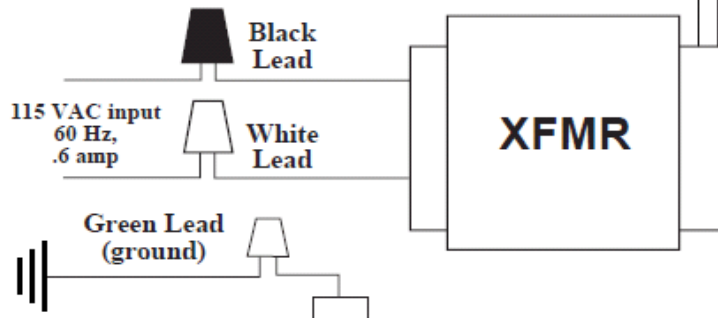
CAUTION:
 Power Supply can be configured as
 12VDC or 24VDC
 Ensure Proper Setting Prior to Installation



Switched
DC output
(trigger control)

Constant output
(Not affected
by trigger)

Stand-by
Battery
(optional)



Indicator LED Diagnostics:

Red-DC	Green-AC	Status
On	On	Normal Operating condition
Off	On	No DC output
Off	Off	Loss of AC No DC output

