

Emergency Stations with Push Button or Drop Flag Actuation E-101 & E-103/E-113



E-101



E-103/E-113

E-101 Push Button Emergency Station

Description: E-101 Push Button Emergency Station features a satin finish stainless steel faceplate with silk-screened designations. Stations can be used on single or dual status systems. They may be flush mounted on a standard outlet box with single gang rings, or surface mounted on Wiremold 5748 or equal with a depth requirement of 1 3/4". Incandescent lamps not acceptable. Field wiring terminations are with screw terminals for maximum 16-gauge wire.

Operation: A touch of the push button type switch on the E-101 Emergency station activated a call for help, verified by a red LED indicator. Calls can be cancelled by pushing the button again.

E-103/E-113 Push Button Emergency Station

Description: E-103/E-113 stations feature satin finish stainless steel faceplates with silk-screened designations. They may be flush mounted on Wiremold 5748 or equal, with a depth requirement of 1 3/4".

- E-103: May be used with dual status systems. Field wiring terminations are with screw terminals for maximum 16-gauge wire.
- E-113: For single status only. Wire lead terminations.

Operation: A touch of the DPDT switch button on the UL listed E-103/E-113 Emergency Station initiates an emergency call, verified by mechanical flag drop. Calls may be cancelled by pushing the button again.

E-101 & E-103/E-113 Emergency Stations

Mounting: The satin finish stainless steel faceplate with silk-screened designations may be flush mounted on a standard outlet box with single-gang plaster ring, or surface mounted on a Wiremold 5748 or equivalent.

Engineering Specifications: The contractor shall furnish and install CORNELL Push Button Emergency Stations as indicated on the plans. Faceplates shall be satin finish stainless steel with silk-screened designations. Calls in progress (E-101) are indicated by a red LED. Calls in progress (E-103/E-113) are indicated by mechanical flag drop. Calls may be cancelled by pushing the button again. Stations shall be mounted on standard outlet boxes with single-gang rings or Wiremold 5748 or equal.

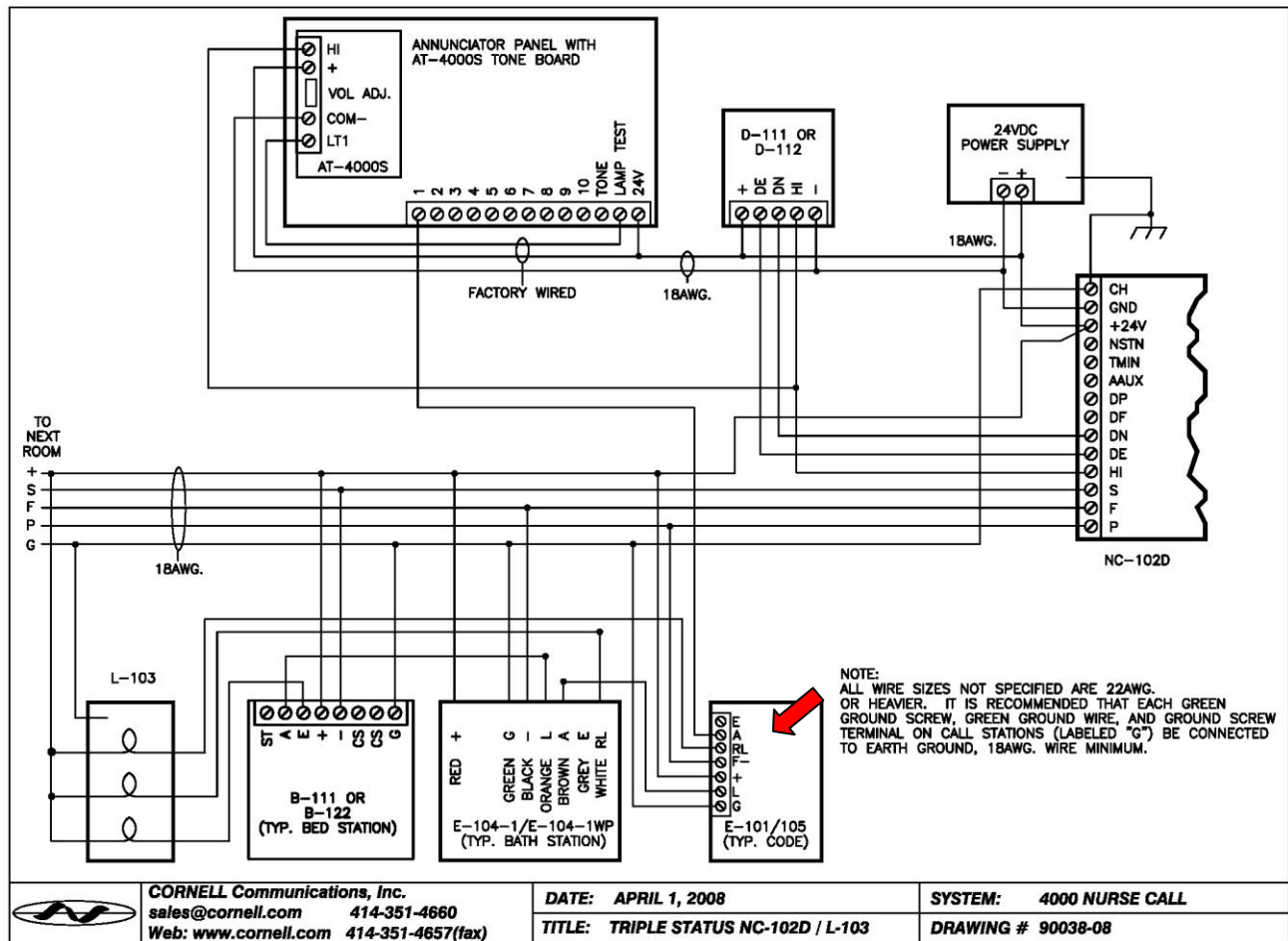
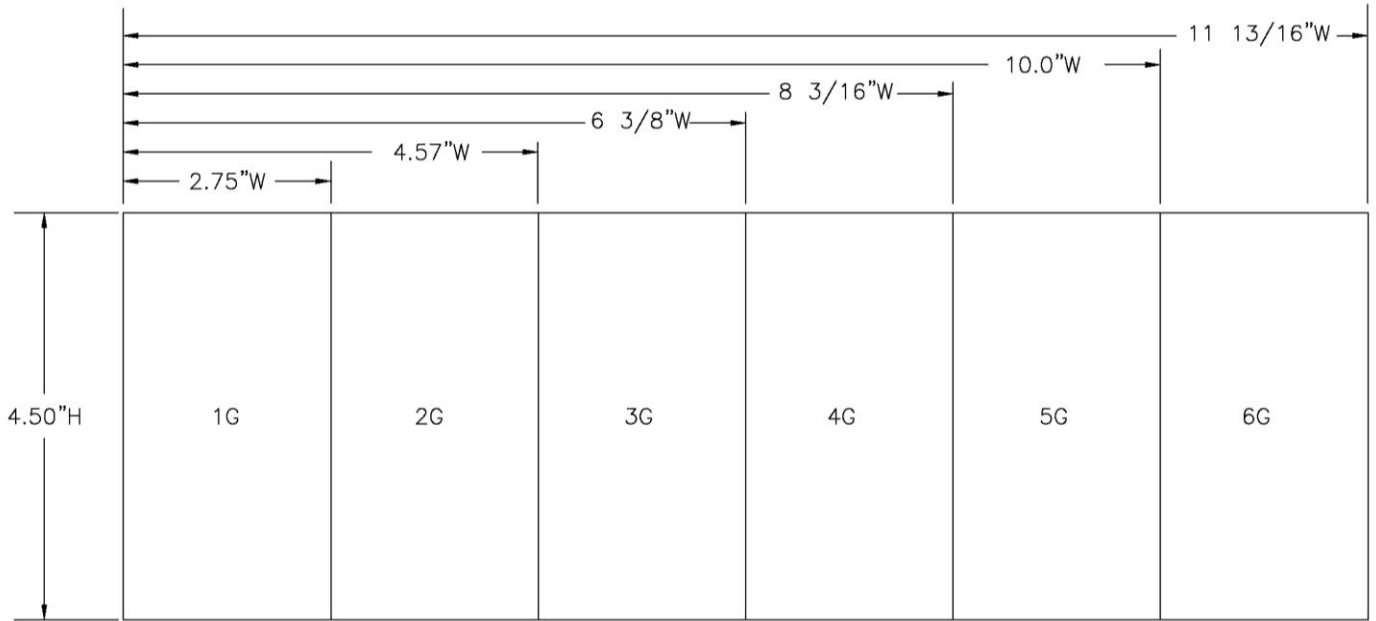
Technical Information:


- Power Requirements: 24VDC
- Operating Environment: 50-120°F Indoor Non-condensing
- Physical Faceplate Dimensions: 4 1/2" H x 2 3/4" W (Standard 1 Gang)
- Mounting: Single-Gang back box with 1 3/4" minimum depth
- Wiring: #22 AWG Minimum, #16 AWG Maximum

Available in 1-6 gang sizes:

*stations are only UL Listed in the 1 gang size

* For correct part number, change first number (1) to gang size needed



 CORNELL Communications, Inc. sales@cornell.com 414-351-4660 Web: www.cornell.com 414-351-4657(fax)	DATE: APRIL 1, 2008	SYSTEM: 4000 NURSE CALL
	TITLE: TRIPLE STATUS NC-102D / L-103	DRAWING # 90038-08

CORNELL COMMUNICATIONS, INC.

Milwaukee, Wisconsin USA • 800-558-8957 • 414-351-4660 • Fax 414-351-4657
 www.cornell.com • sales@cornell.com

