



Emergency Station Push On/Twist Off E-108A



E-108A

Description: E-108A stations feature single-gang stainless steel faceplate with silk-screened designations. The E-108A has a “Mushroom” push-button with mechanical latching. Push on/twist off. They may be flush mounted on standard outlet boxes with single-gang rings, or surface mounted on Wiremold 5748 or equal with a depth requirement of 1 ¾”. The activator is oil tight. Momentary switching is available.

Operation Pushing the button on the E-108A activates a call for help confirmed by a red LED. To cancel the call, twist the push-button to the right.

Mounting: The satin finish stainless steel faceplate with silk-screened designations may be flush mounted on a standard outlet box with single-gang plaster ring, or surface mounted on a Wiremold 5748 or equivalent.

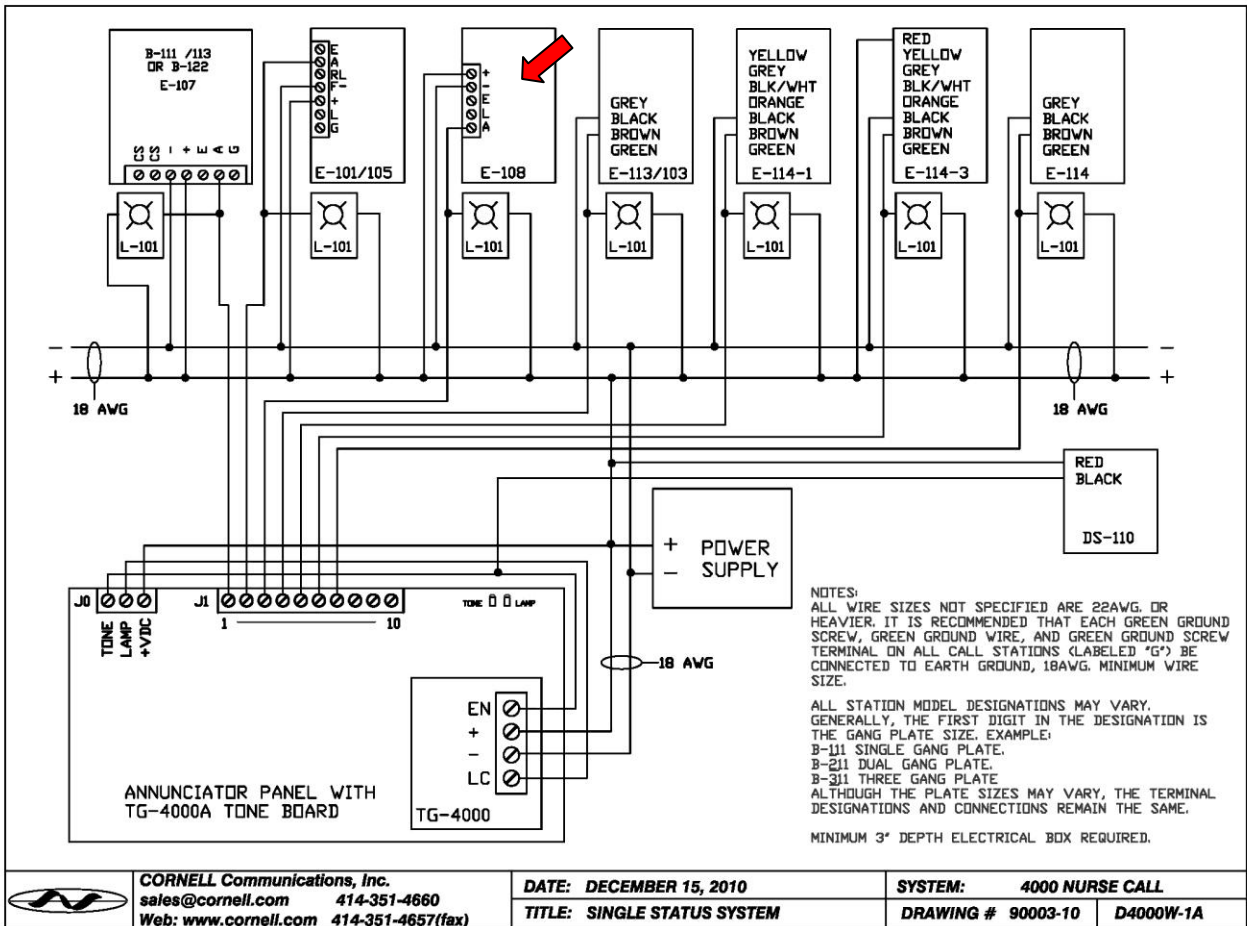
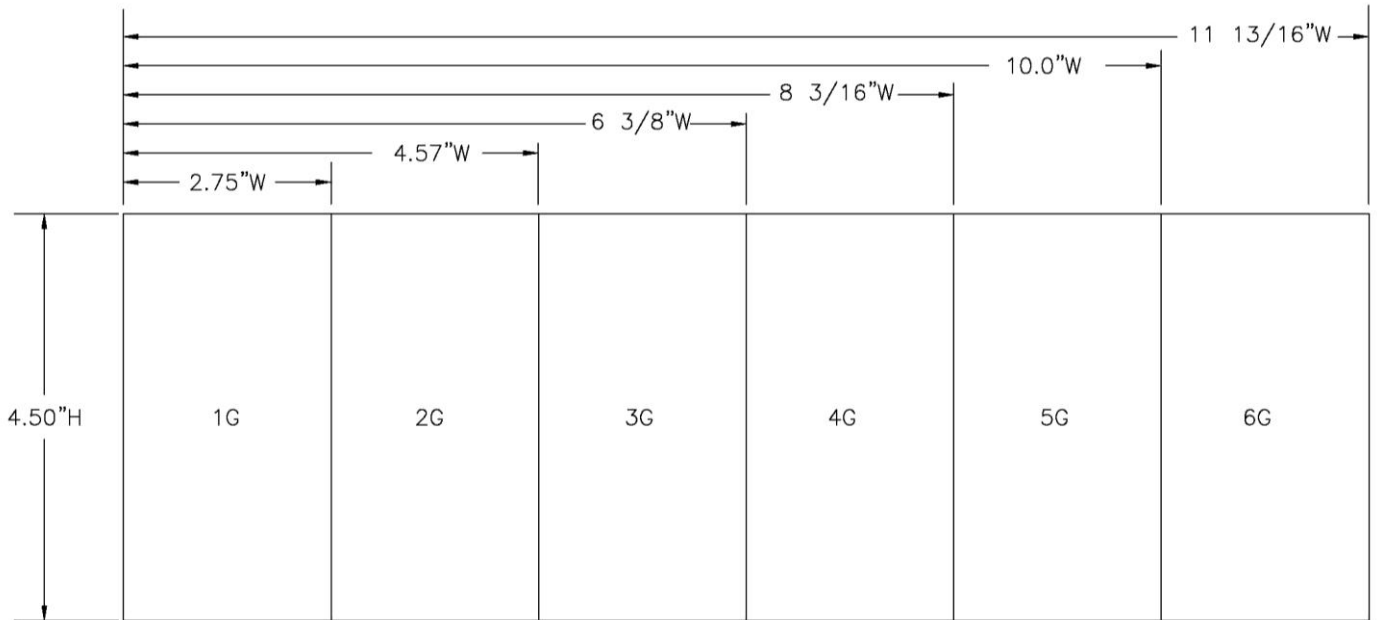
Engineering Specifications: The contractor shall furnish and install the *CORNELL* E-108A Emergency Station as indicated on the plans. Faceplate shall be brushed stainless steel, with epoxy silk-screened designations. “Mushroom” button shall be minimum of 1½” in diameter. Call indicator shall be a red light emitting diode. The Emergency Station shall fit on a standard single gang plaster ring or Wiremold 5748 (for surface mounting) or equal. Minimum depth shall be 1 ¾”.

Technical Information:

- Power Requirements: 24VDC
- Operating Environment: 50-120°F Indoor Non-condensing
- Physical Faceplate Dimensions: 4 ½”H x 2 ¾”W (1 Gang)
- Mounting: Single-Gang back box with 1¾” minimum depth
- Wiring: #22 AWG Minimum

Available in 1-6 gang sizes:

*stations are only UL Listed in the 1 gang size



CORNELL Communications, Inc. sales@cornell.com 414-351-4660 Web: www.cornell.com 414-351-4657(fax)	DATE: DECEMBER 15, 2010	SYSTEM: 4000 NURSE CALL
	TITLE: SINGLE STATUS SYSTEM	DRAWING # 90003-10

CORNELL COMMUNICATIONS, INC.

Milwaukee, Wisconsin USA • 800-558-8957 • 414-351-4660 • Fax 414-351-4657
 www.cornell.com • sales@cornell.com

