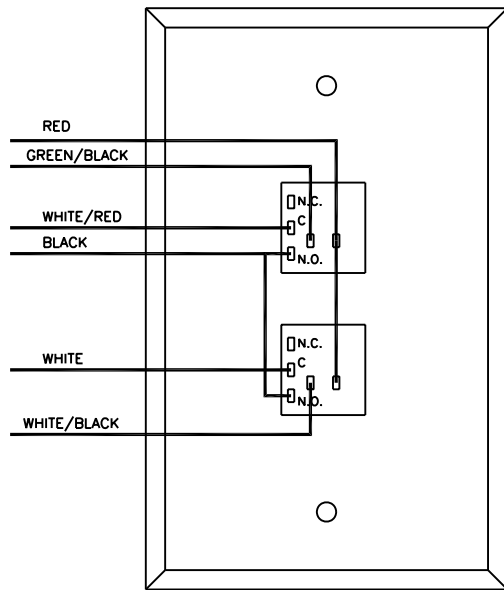
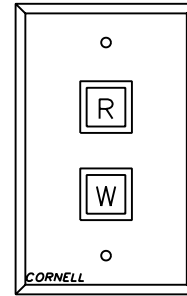


BACK VIEW



FRONT VIEW



CORNELL Communications, Inc.
 sales@cornell.com 414-351-4660
 Web: www.cornell.com 414-351-4657(fax)

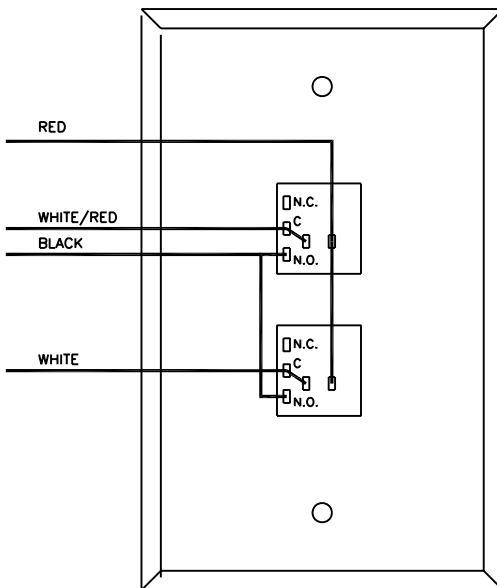
DATE: SEPTEMBER 25, 2006

TITLE: S-132MS WIRING

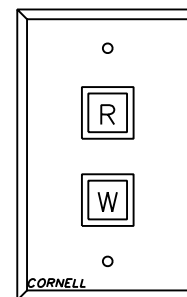
SYSTEM: 2000 CLINIC STATUS

DRAWING # 90061-06

BACK VIEW



FRONT VIEW



CORNELL Communications, Inc.
 sales@cornell.com 414-351-4660
 Web: www.cornell.com 414-351-4657(fax)

DATE: SEPTEMBER 25, 2006

TITLE: S-132AS WIRING

SYSTEM: 2000 CLINIC STATUS

DRAWING # 90060-06