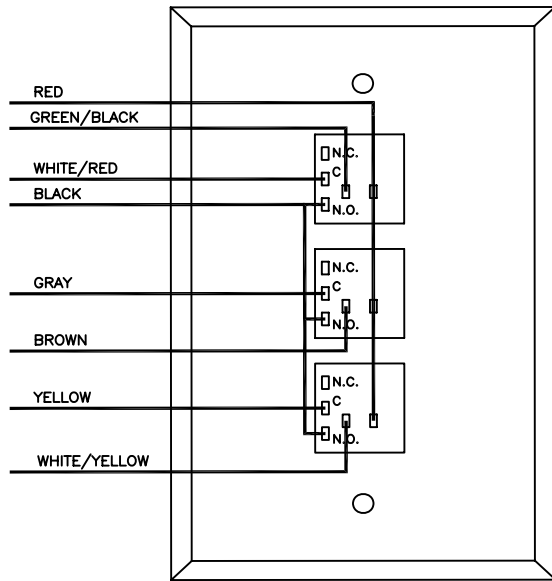
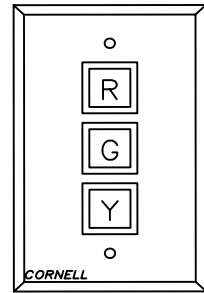


BACK VIEW



FRONT VIEW

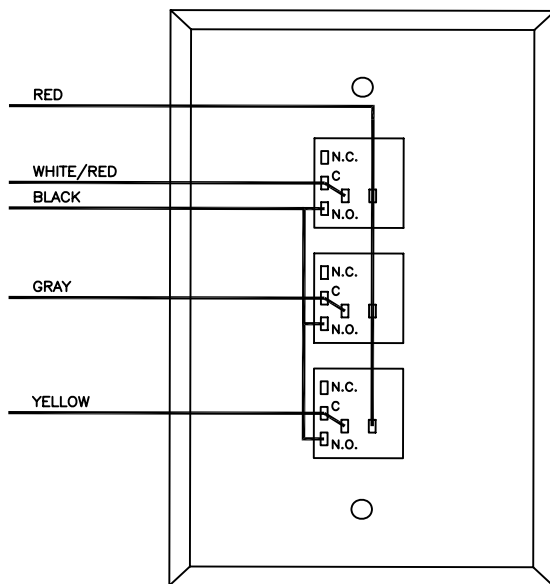


**CORNELL Communications, Inc.**  
 sales@cornell.com 414-351-4660  
 Web: www.cornell.com 414-351-4657(fax)

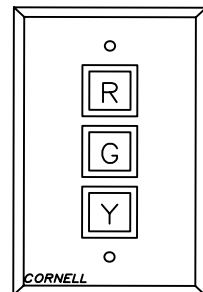
DATE: SEPTEMBER 25, 2006  
 TITLE: S-133MS WIRING

SYSTEM: 2000 CLINIC STATUS  
 DRAWING # 90062-06

BACK VIEW



FRONT VIEW



**CORNELL Communications, Inc.**  
 sales@cornell.com 414-351-4660  
 Web: www.cornell.com 414-351-4657(fax)

DATE: SEPTEMBER 25, 2006  
 TITLE: S-133AS WIRING

SYSTEM: 2000 CLINIC STATUS  
 DRAWING # 90063-06