

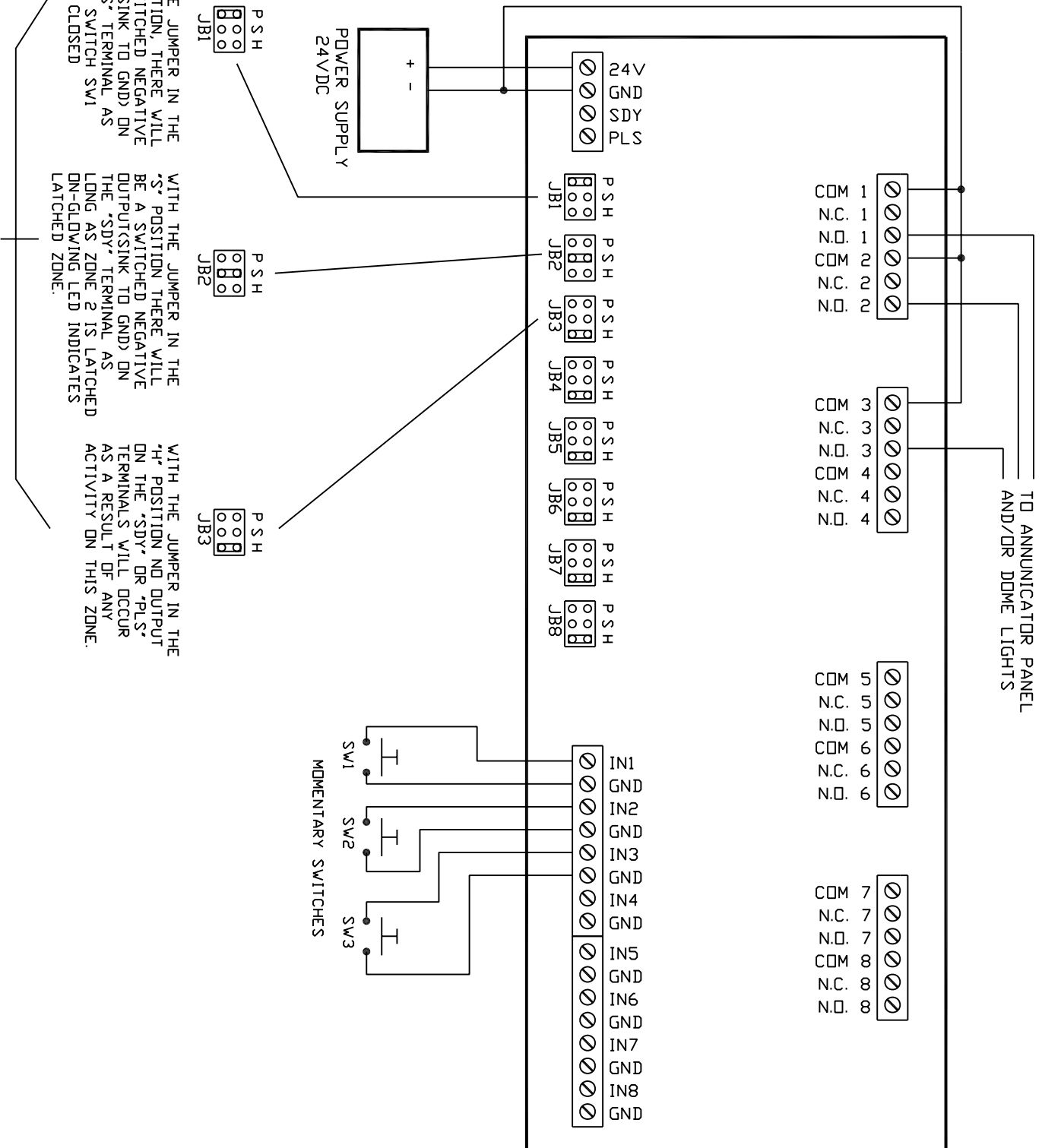


CORNELL Communications, Inc.
 sales@cornell.com 414-351-4660
 Web: www.cornell.com 414-351-4657(fax)

DATE: SEPTEMBER 25, 2006
 TITLE: RELAY BOARD 8010-273

SYSTEM: 2000 CLINIC STATUS
 DRAWING # 90057-06 D2000W-2

SDY AND *PLS* PROGRAMMING EXAMPLES



TO ANNUNCIATOR PANEL AND/OR DOME LIGHTS