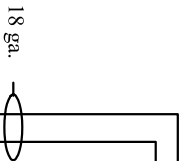
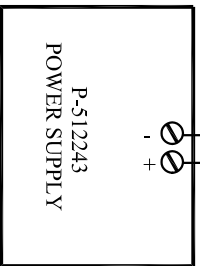


"RMT" IS A SWITCHED  
 NEGATIVE (OPEN COLLECTOR)  
 OUTPUT (500mA MAX) WHICH  
 TURNS ON DURING ALARM  
 CONDITION ON ANY ZONE.

"HI" IS THE TONE SIGNAL  
 FOR A-1600 AND A-1700  
 REMOTE CONTROL/MONITOR  
 PANELS (IF USED).



TOLERANCES UNLESS OTHERWISE SPECIFIED FRACTIONS DEC ANGLES		+ - + - + -	
<b>APPROVALS</b> DRAWN CHECKED	<b>DATE</b> 5/24/01	<b>1000 SERIES DOOR MONITOR</b> <b>BASIC SYSTEM WIRING</b>	
<b>CORNELL</b> COMMUNICATIONS, INC. MILWAUKEE, WISCONSIN, USA		<b>SCALE</b> A	<b>DRAWING NO.</b>
DO NOT SCALE DRAWING		SHEET SHEET	

A-1800:

A-1800 REMOTE CONTROL STATION FOR A SINGLE ZONE COMPRISED OF ONE GANG GREEN LED, ONE RED LED, KEY SWITCH AND TOGGLE SWITCH ON A SINGLE GANG STAINLESS STEEL PLATE. THE KEY SWITCH WILL ENABLE OR DISABLE THE USE OF THE TOGGLE SWITCH. WHEN ENABLED, THE TOGGLE SWITCH WILL CHANGE THE STATUS OF THAT ZONE FROM A REMOTE LOCATION.

ARMED CONDITION-STEADY RED LED, ALARM CONDITION-FLASHING RED LED, UNARMED CONDITION-STEADY GREEN LED.

A-1801:

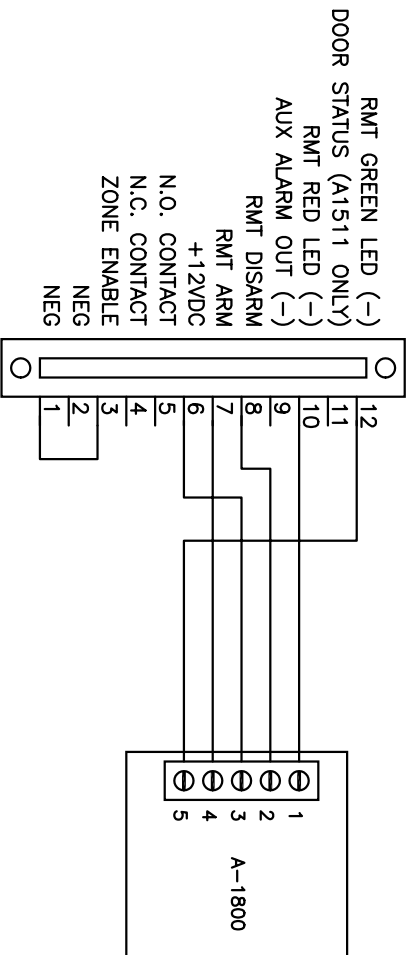
THE A-1801 IS A KEY OPERATED SWITCH WITH TIMER DESIGNED TO PERMIT AUTHORIZED PERSONS TO EXIT THE BUILDING WHEN THE ZONE IS ARMED. THE A-1801 HAS A KEY SWITCH AND RED LED MOUNTED ON A SINGLE GANG STAINLESS STEEL PLATE. THE RED LED WILL INDICATE WHEN THE DOOR IS ARMED. OPERATING THE KEY SWITCH WILL START THE TIMER AND ALLOW THE PERSON TO EXIT. AFTER THE ADJUSTABLE TIME CYCLE, (1 SECOND TO TWO MINUTES) THAT ZONE WILL AUTOMATICALLY RE-ARM ITSELF.

ARMED CONDITION-STEADY RED LED, ALARM CONDITION-FLASHING RED LED, UNARMED CONDITION RED LED IS OFF.

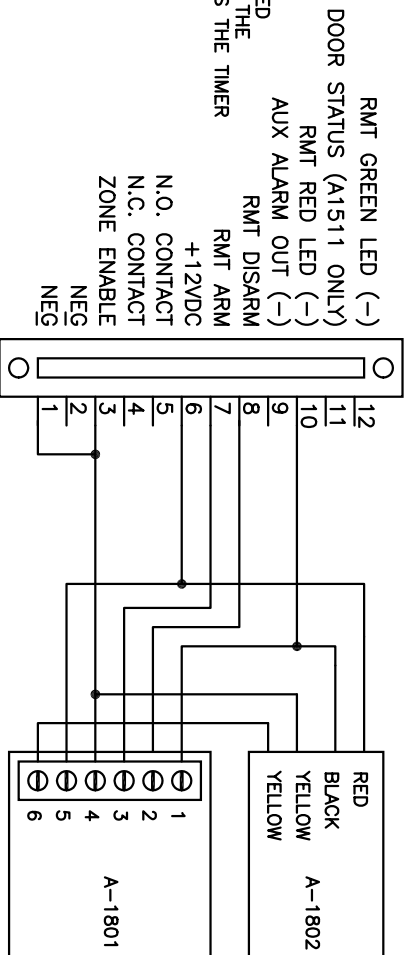
A-1802:

THE A-1802 IS A KEY OPERATED SWITCH WITH A RED LED AND IS IDENTICAL TO THE A-1801 WITHOUT THE TIMER. IT IS DESIGNED TO BE USED IN CONJUNCTION WITH THE A-1801. TYPICAL APPLICATION WOULD CONSIST OF AN A-1802 INSTALLED ON THE OUTSIDE OF A SECURED DOOR CONNECTED TO AN A-1801 INSTALLED ON THE OTHER SIDE OF THE DOOR OPERATING THE KEY SWITCH ON THE A-1802 ACTIVATES THE TIMER ON THE A-1801 ALLOWING PASSAGE THROUGH THE DOOR.

A1501/A1511



A1501/A1511



**WIRING SUMMARY**

A-1800 TO A-1211/A-1511 USE 5 CONDUCTOR 22 AWG.

A-1801 TO A-1211/A-1511 USE 5 CONDUCTOR 22 AWG.

A-1802 TO A-1801 USE 4 CONDUCTOR 22 AWG.

TOLERANCES UNLESS OTHERWISE SPECIFIED		ANGLES	
FRACTIONS	DEC	+	-
+			

APPROVALS	DATE	<p style="text-align: center;"><b>CORNELL</b> COMMUNICATIONS, INC. MILWAUKEE, WISCONSIN, USA</p> <p style="text-align: center;">A-1800, A-1801, A-1802 WIRING AND OPERATION</p>	
DRAWN JMS	2/26/02		
CHECKED			

SCALE	SIZE	DRAWING NO.
	<b>A</b>	90018-02

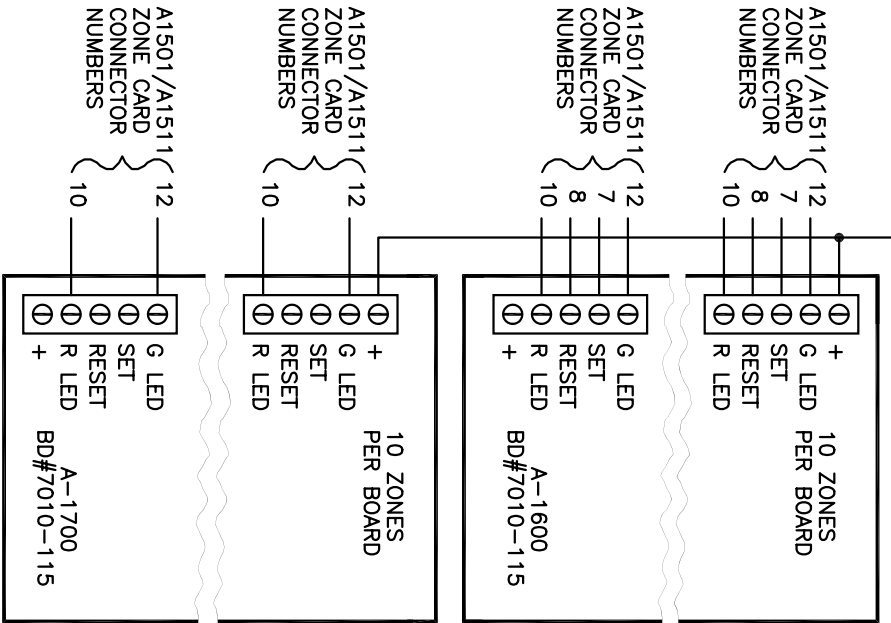
DO NOT SCALE DRAWING SHEET SHEET

TO +12VDC ON POWER SUPPLY + 18 AWG

A-1600 REMOTE MASTER PANEL:  
 DUPLICATES FUNCTIONS OF THE A-1000 MASTER PANEL WITH THE FOLLOWING DIFFERENCES:  
 A-1600 HAS A TONE HI-LO INSTEAD OF A CANCEL SWITCH TO CONTROL THE ALARM SIGNAL. ALSO, EACH ZONE HAS A GREEN LED, RED LED, AND SPRING LOADED CENTER OFF SWITCH.

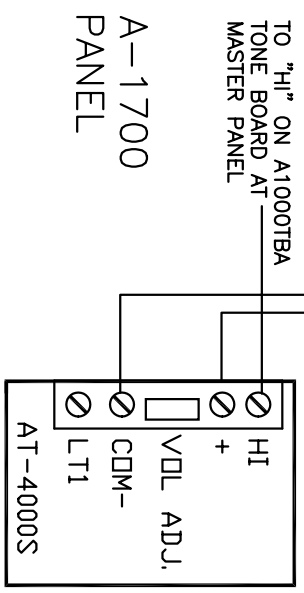
A-1700 REMOTE MASTER PANEL MONITOR:

DISPLAYS, AT A REMOTE LOCATION, THE STATUS OF THE A-1000 MASTER PANEL. EACH ZONE ON THE REMOTE MONITOR HAS ONE GREEN LED, AND ONE RED LED. ALSO, AN AUDIBLE TONE IS EMITTED FROM THE MONITOR DURING AN ALARM CONDITION. ZONE STATUS CAN NOT BE CHANGED FROM THE A-1700.



A-1600 PANEL

A-1700 PANEL



WIRING SUMMARY

A-1600 TO MASTER PANEL

- 2 CONDUCTORS 18 AWG
- 1 CONDUCTOR 22 AWG
- + 4 CONDUCTORS PER ZONE, 22 AWG

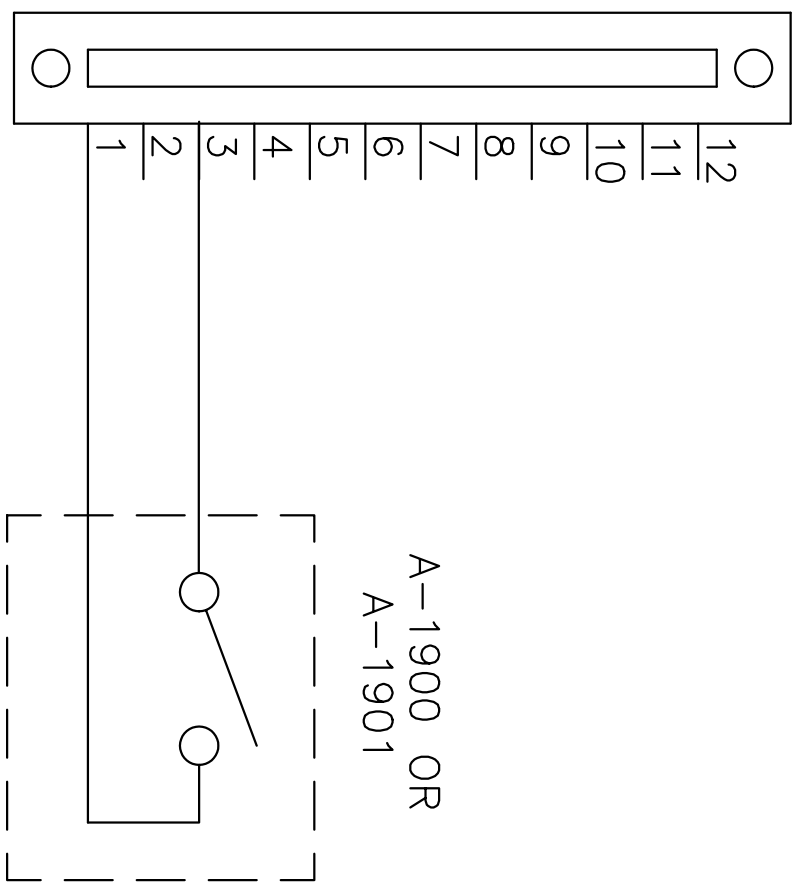
A-1700 TO MASTER PANEL

- 2 CONDUCTORS 18 AWG
- 1 CONDUCTOR 22 AWG
- + 2 CONDUCTORS PER ZONE, 22 AWG

TOLERANCES UNLESS OTHERWISE SPECIFIED FRACTIONS DEC ANGLES DEC	
+	+
APPROVALS	DATE
DRAWN JMS	3-1-02
CHECKED	
<b>CORNELL</b> COMMUNICATIONS, INC. MILWAUKEE, WISCONSIN, USA	
A-1600 / A-1700 SYSTEM WIRING	
SCALE	SIZE
SCALE	A
DO NOT SCALE DRAWING	DRAWING NO.
SHEET	90020-02

A1211/A1511

- RMT GREEN LED (-)
- DOOR STATUS (A1511 ONLY)
- RMT RED LED (-)
- AUX ALARM OUT (-)
- RMT DISARM
- RMT ARM
- +12VDC
- N.O. CONTACT
- N.C. CONTACT
- ZONE ENABLE
- NEG
- NEG



A-1900 AND A-1901

THE A-1900 AND A-1901 ARE KEY SWITCHES USED TO ENABLE/DISABLE ZONE SWITCHES ON THE MASTER PANEL. THE A-1900 IS MOUNTED ON A SINGLE-GANG STAINLESS STEEL PLATE. THE A-1901 IS MOUNTED ON THE MASTER PANEL, when A ZONE SWITCH IS DISABLED, STATUS CHANGES CAN NOT BE MADE USING THE ZONE SWITCH.

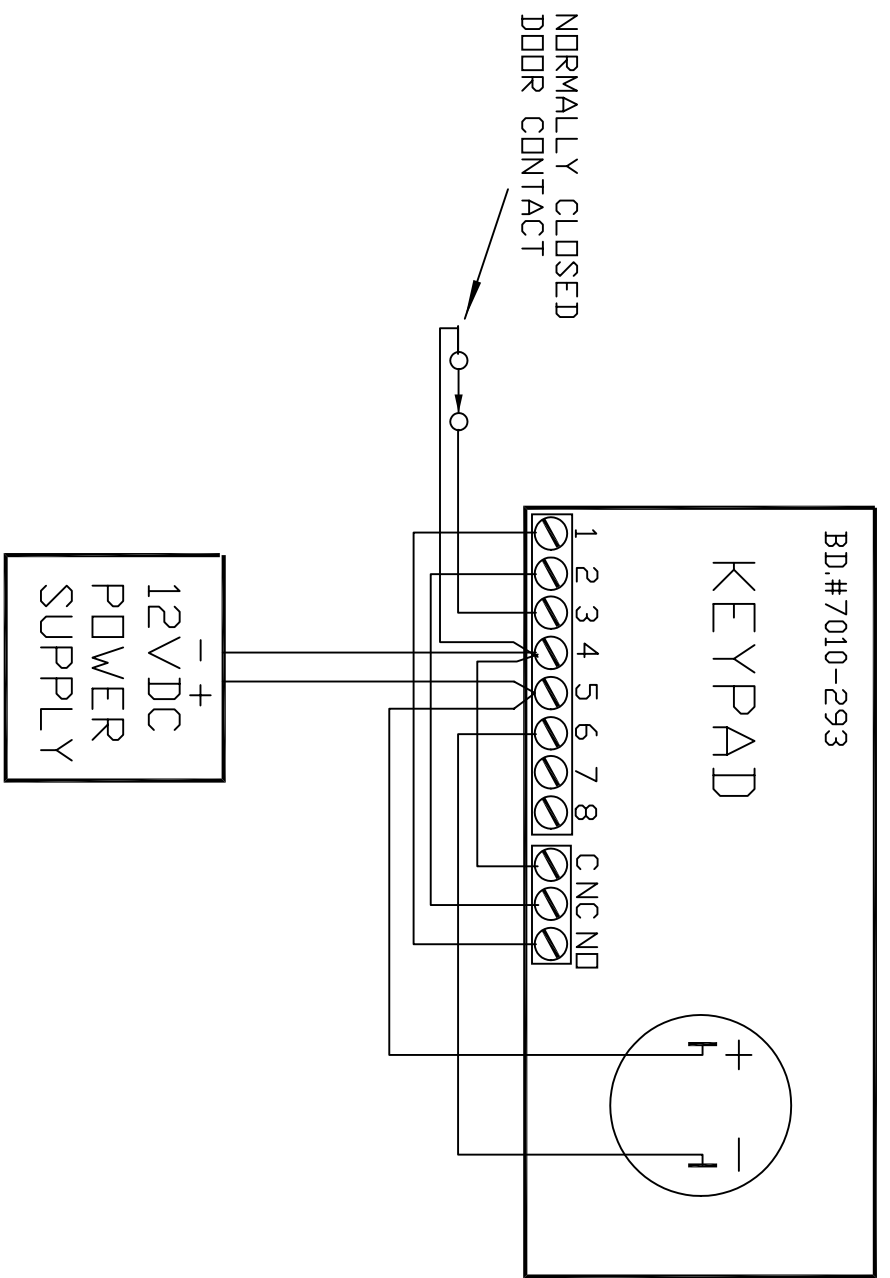
EACH ZONE CARD IS SHIPPED WITH A FACTORY INSTALLED JUMPER BETWEEN TERMINALS 1 AND 3. IT IS NECESSARY TO CUT THIS JUMPER FOR ALL ZONES TO BE CONNECTED TO THE A-1900 OR A-1901.

TOLERANCES UNLESS OTHERWISE SPECIFIED		FRACTIONS		DEC		ANGLES	
+		+		+		+	
APPROVALS		DATE		A-1900 AND A-1901 WIRING			
DRAWN JMS		2/27/02		CORNELL COMMUNICATIONS, INC. MILWAUKEE, WISCONSIN, USA			
CHECKED				SCALE		SIZE	
				SCALE		DRAWING NO.	
				A		90019-02	
DO NOT SCALE DRAWING				SHEET			

BD.#7010-293

# KEYPAD

NORMALLY CLOSED  
DOOR CONTACT

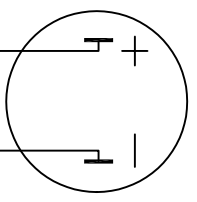


NOTES:  
ALL WIRE SHOWN MAY BE 22 ga.  
OR HEAVIER.  
THE KEYPAD CONSUMES 20mA MAX.

TOLERANCES UNLESS OTHERWISE SPECIFIED FRACTIONS DEC ANGLES ± ± ±		<b>CORNELL</b> COMMUNICATIONS, INC. MILWAUKEE, WISCONSIN, USA	
APPROVALS	DATE	A-1809C DOOR MONITOR KEYPAD WIRING INFORMATION	
DRAWN MG	9/20/96	SCALE NTS	SIZE A
CHECKED		DRAWING NO. M092096-1	
DO NOT SCALE DRAWING		SHEET 1 OF 1	

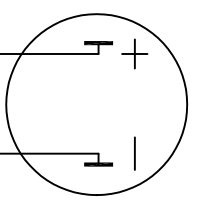
BD.# 7010-293

KEYPAD



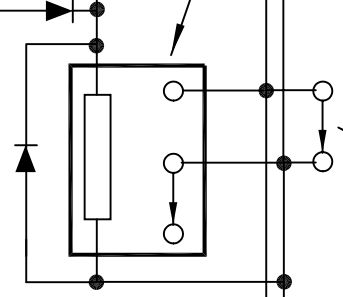
BD.# 7010-293

KEYPAD

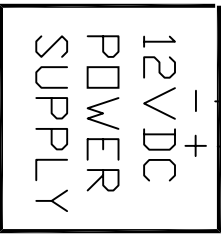


NORMALLY CLOSED  
DOOR CONTACT

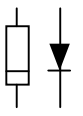
12VDC  
RELAY



ANY RECTIFIER  
DIODE WILL WORK



DIODE KEY:



NOTES:  
ALL WIRE SHOWN MAY BE  
22 AWG OR HEAVIER.  
IF EITHER KEYPAD IS  
DISARMED, THE DOOR MAY  
BE OPENED WITHOUT  
INITIATING AN ALARM.  
EACH KEYPAD CONSUMES  
20 mA MAX.

TOLERANCES UNLESS OTHERWISE SPECIFIED	ANGLES
FRACTIONS DEC	±
±	±

**CORNELL**  
COMMUNICATIONS, INC.  
MILWAUKEE, WISCONSIN, USA

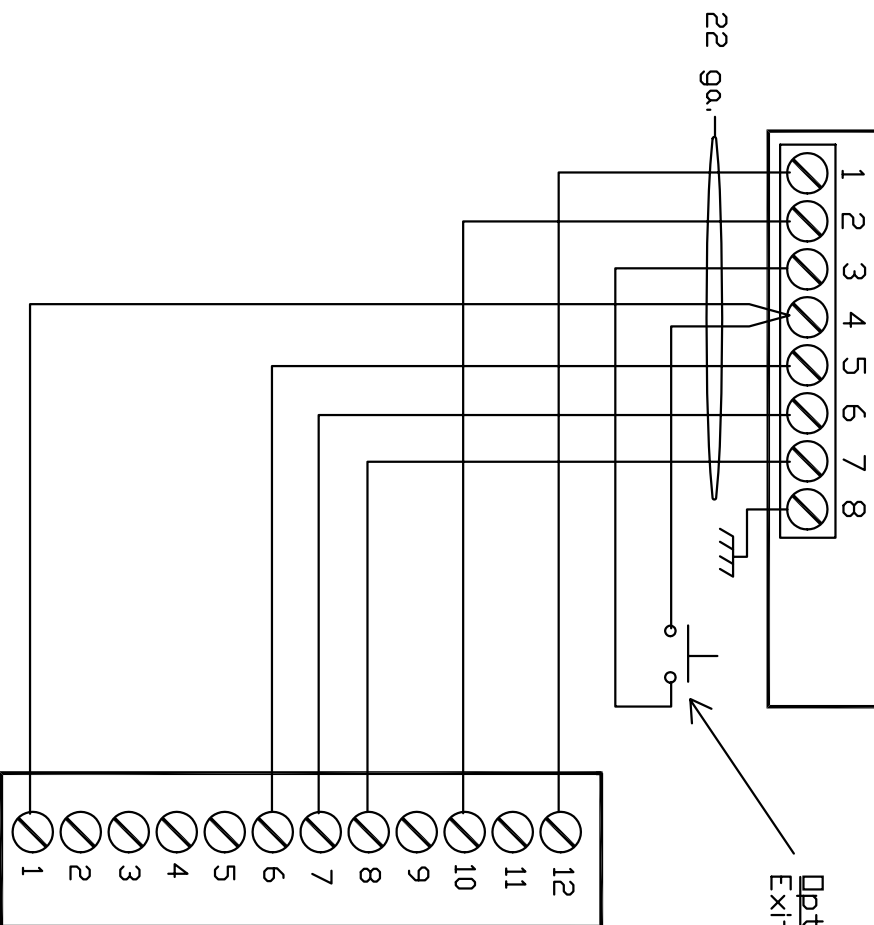
APPROVALS	DATE
DRAWN	
MG	9/20/96

CHECKED	
---------	--

A-1809C DOOR MONITOR  
KEYPAD WIRING INFORMATION  
FOR TWO KEYPADS, ONE DOOR

SCALE	SIZE	DRAWING NO.
NTS	<b>A</b>	M092096-2

A-1806/A-1808 REMOTE  
CONTROL KEYPAD



REQUIRED WIRING BETWEEN ZONE CARD AND KEYPAD:  
6 CONDUCTORS (UNSHIELDED)  
22 ga.

Optional momentary SPST remote  
Exit Time Delay trigger switch

A-1501/A-1201/A-1511/A-1211  
ZONE CARD

TOLERANCES UNLESS OTHERWISE SPECIFIED FRACTIONS DEC ANGLES		± ± ±	
APPROVALS DRAWN MG	DATE 7/24/95	A-1806/7/8 REMOTE ZONE CONTROL KEYPAD WIRING	
CHECKED		SCALE NTS	SIZE A
DO NOT SCALE DRAWING		DRAWING NO. M072495-1	SHEET 1 of 1
<b>CORNELL</b> COMMUNICATIONS, INC. MILWAUKEE, WISCONSIN, USA			