

Check in Station, Push Button E-107



Description: E-107 single-gang Emergency Stations feature satin finish stainless steel faceplates with silk-screened designations. They may be flush mounted on standard outlet boxes with single-gang rings, or surface mounted on Wiremold 5748 or equal with a depth requirement of 1 3/4".

Operation: Used with the A-4000 series Annunciator panel as a "check-in" room station for senior housing. Pushing the "check in" button activates a light at the Annunciator.

Mounting: The satin finish stainless steel faceplate with silk-screened designations may be flush mounted on a standard outlet box with single-gang plaster ring, or surface mounted on a Wiremold 5748 or equivalent.

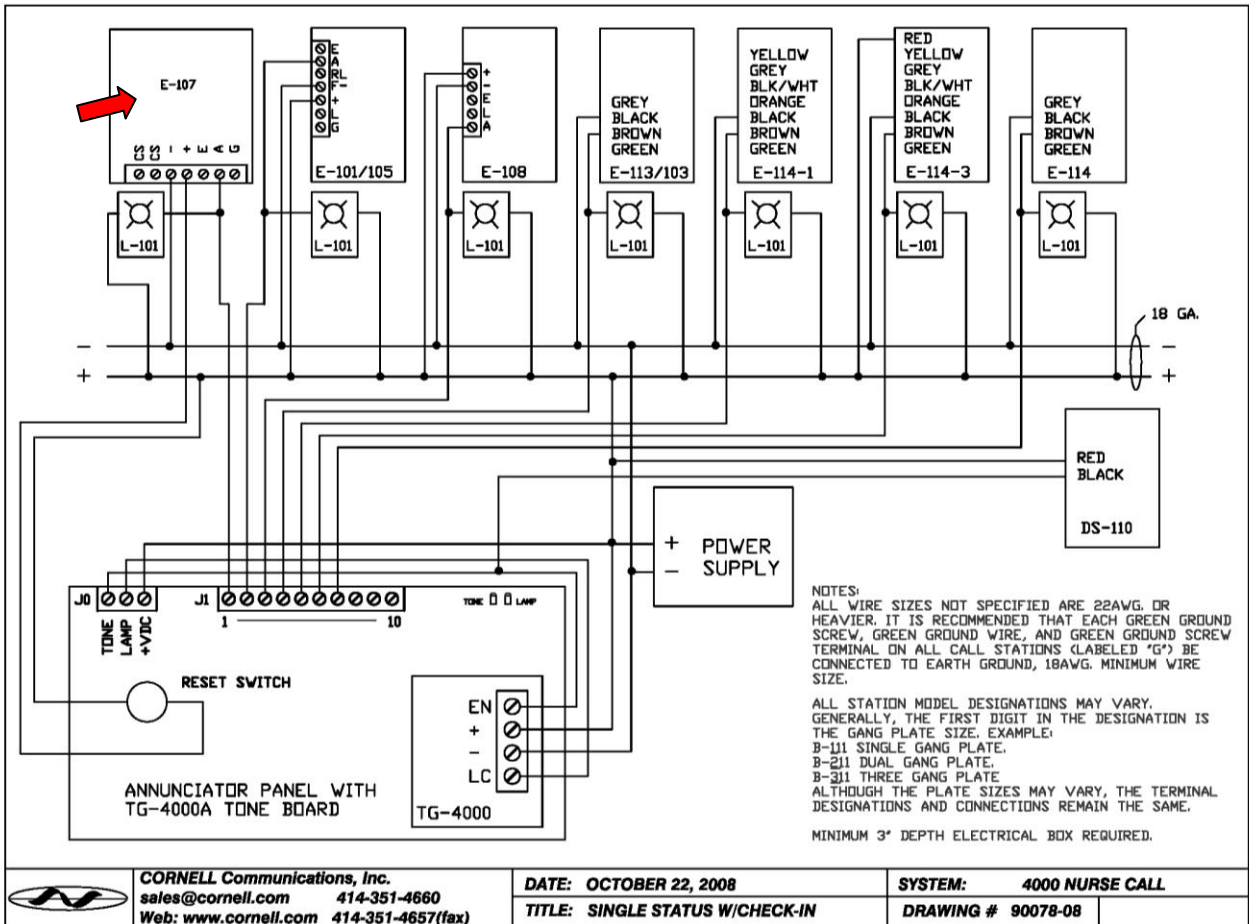
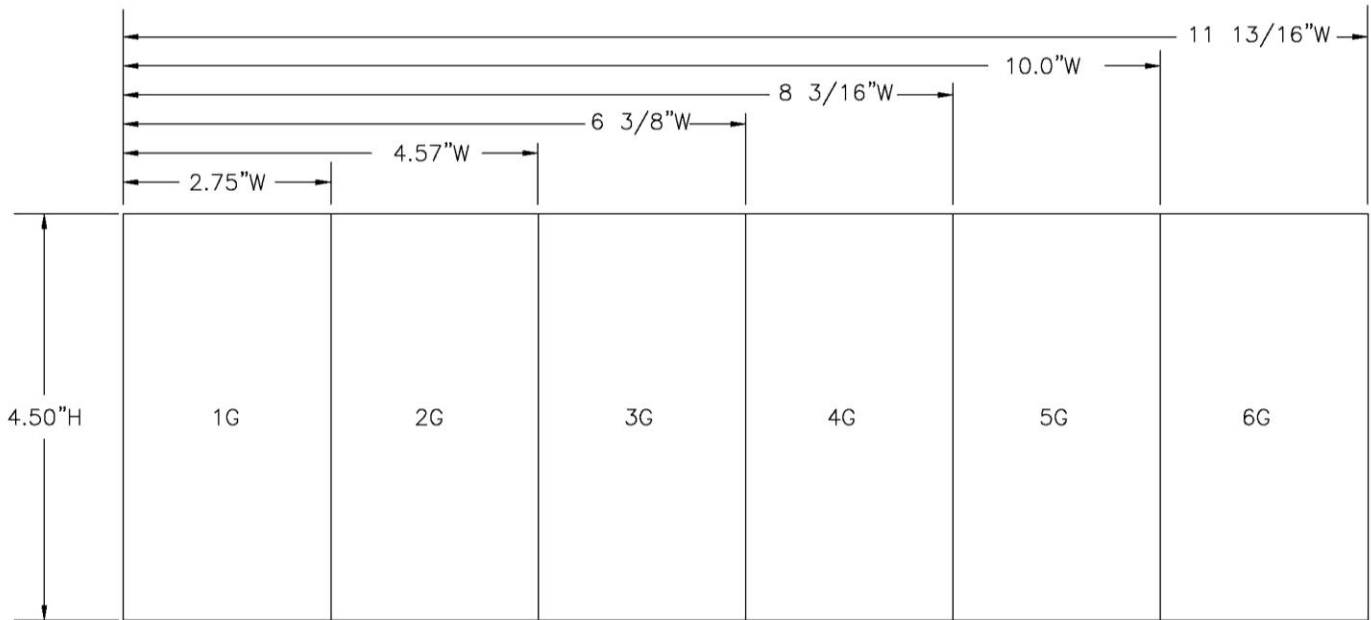
Engineering Specifications: The contractor shall furnish and install the Cornell E-107 check-in stations as indicated on the plans. Faceplates shall be satin-finish stainless steel with silk-screened designations. Call indicator shall be red LED and be replaceable from rear of unit. Incandescent lamps are not acceptable. Stations shall be mounted on standard outlet boxes with single-gang rings or Wiremold 5748 or equivalent.

Technical Information:

- Power Requirements: 24VDC
- Operating Environment: 50-120°F Indoor Non-condensing
- Physical Faceplate Dimensions: 4 1/2" H x 2 3/4" W (1 Gang)
- Mounting: Single-Gang back box with 1 3/4" minimum depth
- Wiring: #22 AWG Minimum

Available in 1-6 gang sizes:

* Change first number (1) to the gang size needed for correct part number.



	CORNELL Communications, Inc. sales@cornell.com 414-351-4660 Web: www.cornell.com 414-351-4657(fax)	DATE: OCTOBER 22, 2008	SYSTEM: 4000 NURSE CALL
		TITLE: SINGLE STATUS W/CHECK-IN	DRAWING # 90078-08

CORNELL COMMUNICATIONS, INC.

Milwaukee, Wisconsin USA • 800-558-8957 • 414-351-4660 • Fax 414-351-4657
 www.cornell.com • sales@cornell.com

