



Triple Status Zone Light Z-103



Description: *CORNELL* Zone Lights (Z-103) to provide visual indication of normal and emergency calls within a zone.

Operation: The Z-103 Triple Status Zone Light offers indications of call and given priority with multiple flash rates.

Mounting: The satin finish stainless steel faceplate with silk-screened designations may be flush mounted on a standard outlet box with single-gang plaster ring, or surface mounted on a Wiremold 5748 or equivalent. Field wiring terminations are pigtailed.

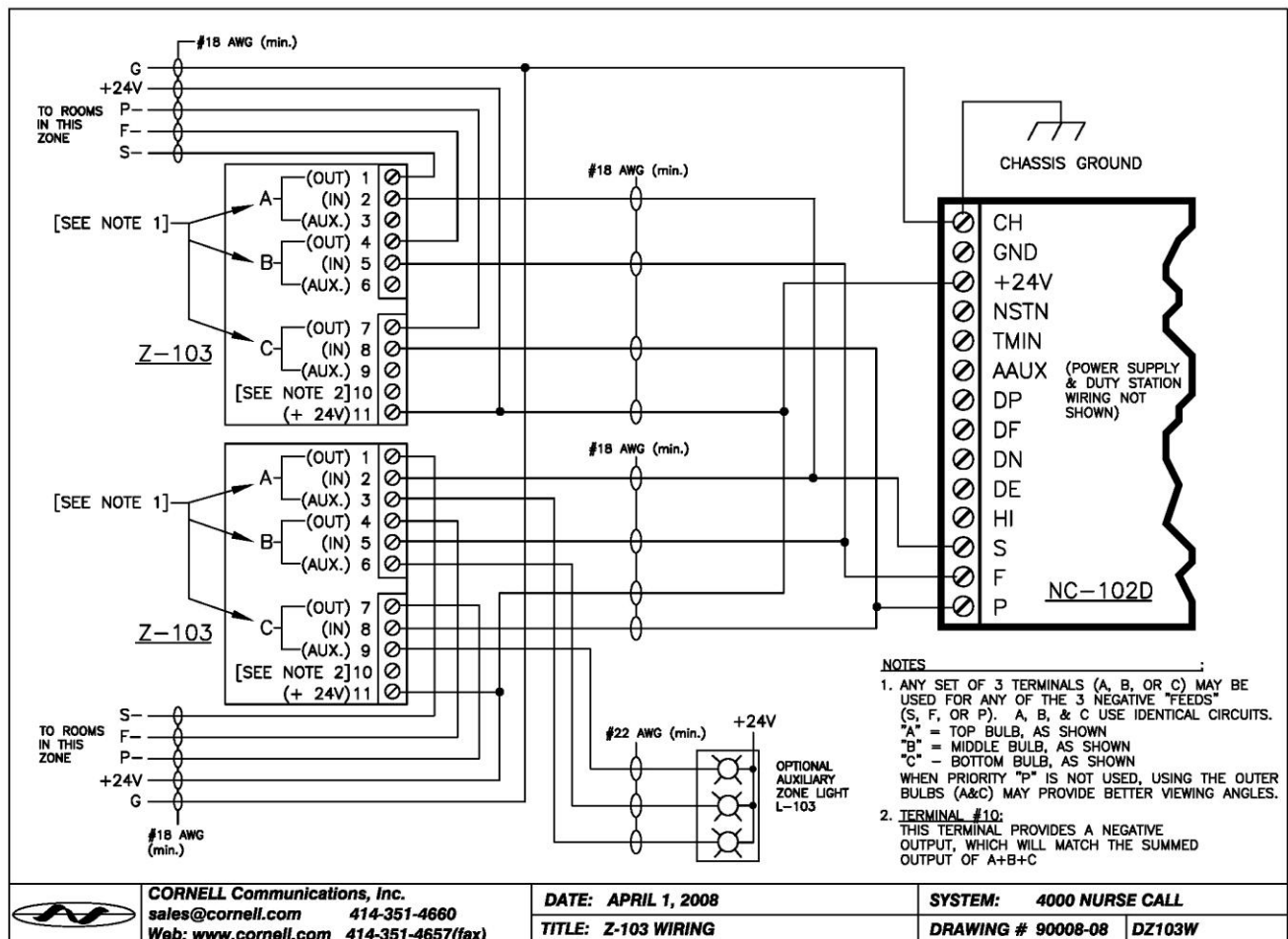
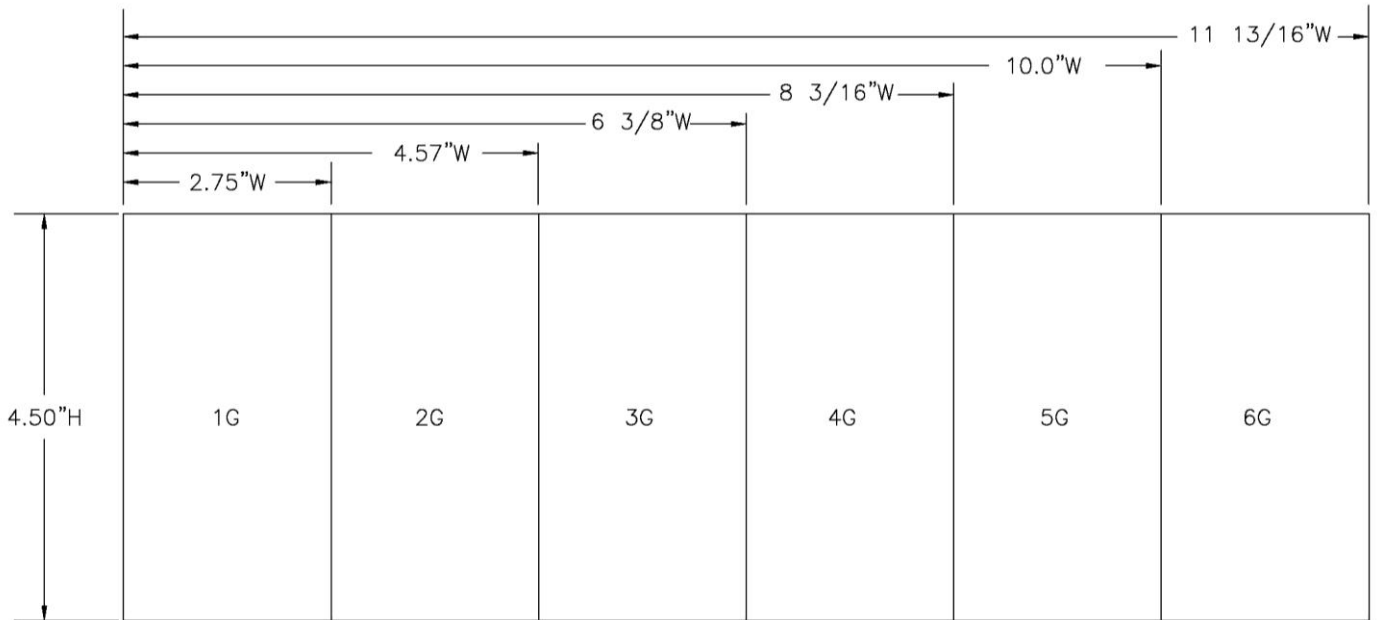
Engineering Specifications: The contractor shall furnish and install *CORNELL* Zone Lights (Z-103) to provide visual indication of normal and emergency calls within a zone. Flashing red light shall indicate an emergency; steady white light a normal call; pulsing green a third priority. The lights shall operate independently. The stainless steel faceplate shall mount in a single-gang electrical box or plaster ring, and shall include a provision for connecting a remote corridor light (*CORNELL* L-103).

Technical Information:

- Power Requirements: 24VDC
- Operating Environment: 50-120°F Indoor Non-condensing
- Physical Faceplate Dimensions: 4 ½ "H x 2 ¾ "W (1 Gang)
- Mounting: Single-Gang back box with 1¾" minimum depth
- Wiring: Screw terminals, 22 AWG Minimum

Available in 1-6 gang sizes:

*stations are only UL Listed in the 1 gang size



CORNELL Communications, Inc.
 sales@cornell.com 414-351-4660
 Web: www.cornell.com 414-351-4657(fax)

DATE: APRIL 1, 2008
TITLE: Z-103 WIRING

SYSTEM: 4000 NURSE CALL
DRAWING # 90008-08 DZ103W

CORNELL COMMUNICATIONS, INC.

Milwaukee, Wisconsin USA • 800-558-8957 • 414-351-4660 • Fax 414-351-4657
 www.cornell.com • sales@cornell.com

