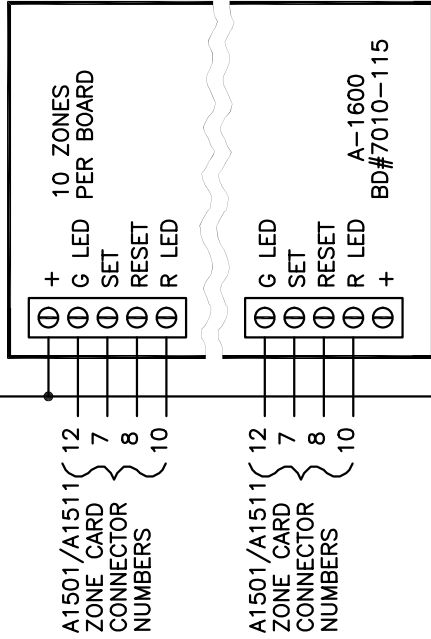


TO +12VDC ON POWER SUPPLY +
18 AWG

A-1600 REMOTE MASTER PANEL:

DUPLICATES FUNCTIONS OF THE A-1000 MASTER PANEL WITH THE FOLLOWING DIFFERENCES. A-1600 HAS A TONE HI-LO INSTEAD OF A CANCEL SWITCH TO CONTROL THE ALARM SIGNAL. ALSO, EACH ZONE HAS A GREEN LED, RED LED, AND SPRING LOADED CENTER OFF SWITCH.

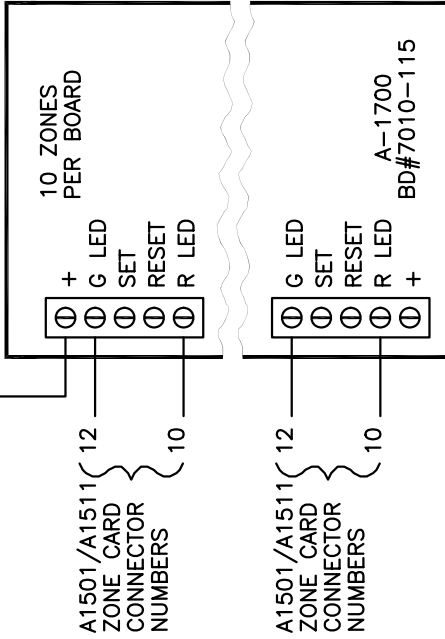
A-1600
PANEL



A-1700 REMOTE MASTER PANEL MONITOR:

DISPLAYS, AT A REMOTE LOCATION, THE STATUS OF THE A-1000 MASTER PANEL. EACH ZONE ON THE REMOTE MONITOR HAS ONE GREEN LED, AND ONE RED LED. ALSO, AN AUDIBLE TONE IS EMITTED FROM THE MONITOR DURING AN ALARM CONDITION. ZONE STATUS CAN NOT BE CHANGED FROM THE A-1700.

A-1700
PANEL



TO "HI" ON A1000TBA
TONE BOARD AT
MASTER PANEL

WIRING SUMMARY

A-1600 TO MASTER PANEL

- 2 CONDUCTORS 18 AWG
- 1 CONDUCTOR 22 AWG
- + 4 CONDUCTORS PER ZONE, 22 AWG

A-1700 TO MASTER PANEL

- 2 CONDUCTORS 18 AWG
- 1 CONDUCTOR 22 AWG
- + 2 CONDUCTORS PER ZONE, 22 AWG



CORNELL Communications, Inc.
sales@cornell.com 414-351-4660
Web: www.cornell.com 414-351-4657(fax)

DATE: SEPTEMBER 25, 2006

TITLE: A-1600/A-1700

SYSTEM: DOOR MONITOR

DRAWING # 90020-06

DA1600WM