

A-1800:

A-1800 REMOTE CONTROL STATION FOR A SINGLE ZONE COMPRISED OF ONE GREEN LED, ONE RED LED, KEY SWITCH AND TOGGLE SWITCH ON A SINGLE GANG STAINLESS STEEL PLATE. THE KEY SWITCH WILL ENABLE OR DISABLE THE USE OF THE TOGGLE SWITCH. WHEN ENABLED, THE TOGGLE SWITCH WILL CHANGE THE STATUS OF THAT ZONE FROM A REMOTE LOCATION.

ARMED CONDITION--STEADY RED LED, ALARM CONDITION--FLASHING RED LED, AND UNARMED CONDITION--STEADY GREEN LED.

A-1801:

THE A-1801 IS A KEY OPERATED SWITCH WITH TIMER DESIGNED TO PERMIT AUTHORIZED PERSONS TO EXIT THE BUILDING WHEN THE ZONE IS ARMED. THE A-1801 HAS A KEY SWITCH AND RED LED MOUNTED ON A SINGLE GANG STAINLESS STEEL PLATE. THE RED LED WILL INDICATE WHEN THE DOOR IS ARMED. OPERATING THE KEY SWITCH WILL START THE TIMER AND ALLOW THE PERSON TO EXIT. AFTER THE ADJUSTABLE TIME CYCLE (1 SECOND TO TWO MINUTES) THAT ZONE WILL AUTOMATICALLY RE-ARM ITSELF.

ARMED CONDITION--STEADY RED LED, ALARM CONDITION--FLASHING RED LED, UNARMED CONDITION RED LED IS OFF.

A-1802:

THE A-1802 IS A KEY OPERATED SWITCH WITH A RED LED AND IS IDENTICAL TO THE A-1801 WITHOUT THE TIMER. IT IS DESIGNED TO BE USED IN CONJUNCTION WITH THE A-1801. TYPICAL APPLICATION WOULD CONSIST OF AN A-1802 INSTALLED ON THE OUTSIDE OF A SECURED DOOR CONNECTED TO AN A-1801 INSTALLED ON THE OTHER SIDE OF THE DOOR. OPERATING THE KEY SWITCH ON THE A-1802 ACTIVATES THE TIMER ON THE A-1801 ALLOWING PASSAGE THROUGH THE DOOR.

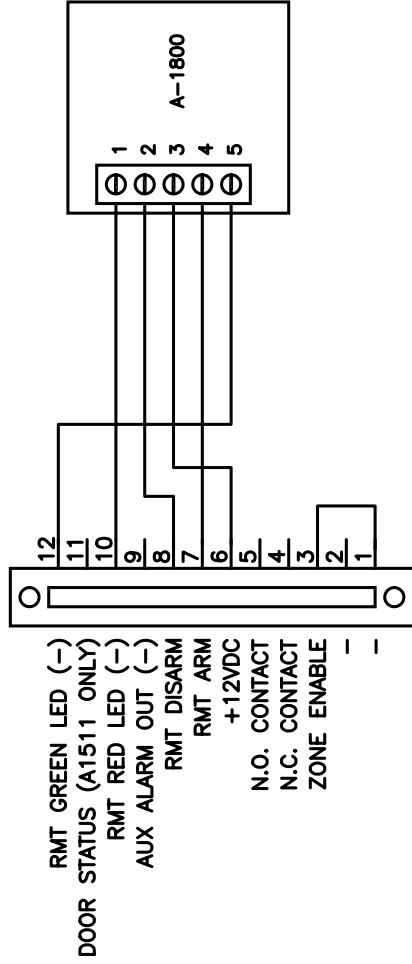
WIRING SUMMARY

A-1800 TO A-1211/A-1511 USE 5 CONDUCTOR 22 AWG.

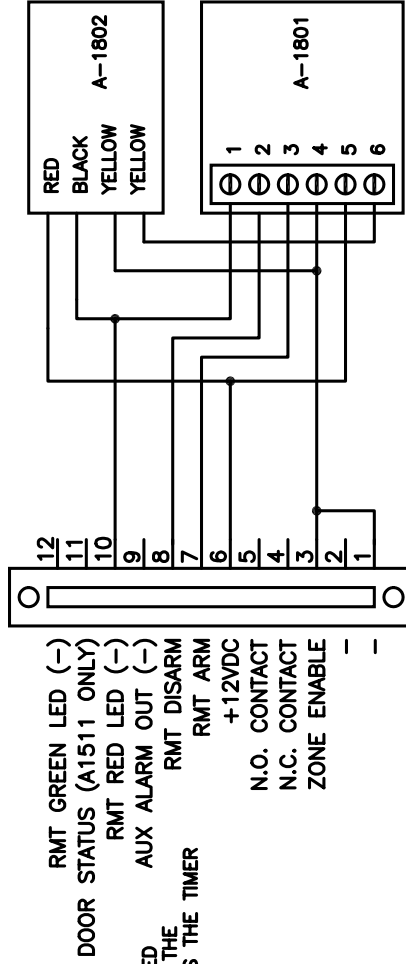
A-1801 TO A-1211/A-1511 USE 5 CONDUCTOR 22 AWG.

A-1802 TO A-1801 USE 4 CONDUCTOR 22 AWG.

A1501/A1511



A1501/A1511



CORNELL Communications, Inc.
 sales@cornell.com 414-351-4660
 Web: www.cornell.com 414-351-4657(fax)

DATE: MAY 21, 2002

TITLE: A-1800, 1801, 1802 WIRING

SYSTEM: 1000 DOOR SYSTEM

DRAWING # 90018-02

DA1800VVM