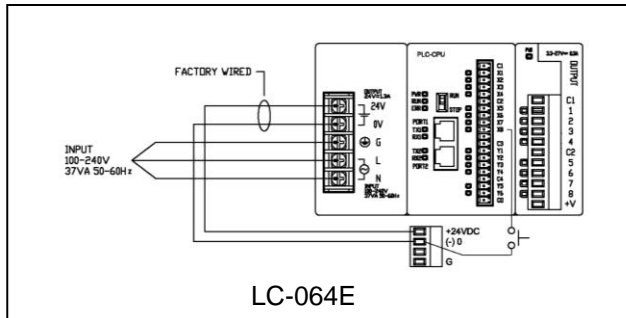


# Light Controller LC-064E



**Description:** The Cornell LC-064E Light Controller to be used with Cornell wireless systems has 0-9 flash rate codes. Flash rates are used to determine the priority level of a call, and a different flash rate can be applied to each relay.

**Operation:** Cornell's LC-064E will control the flash rate of the lights connected to it when properly programmed with Cornell wireless systems. Flash rate options are as followed:

0. Off
1. Flash 250ms On/ 250ms Off
2. Flash 500ms On/ 500ms Off
3. Flash 750ms On/ 250ms Off
4. Flash 1000ms On/ 500ms Off
5. Flash 1500ms On/ 500ms Off
6. Flash 2000ms On/ 750ms Off
7. Flash 250ms On/ 750ms Off
8. Flash 3000ms On/ 1000ms Off
9. On

**Mounting:** Surface mount enclosure.

**Engineering Specifications:** The contractor shall install and program the light controller (LC-064E) to predetermined specifications. The unit shall be installed inside included surface mount enclosure. Contractor shall test the unit using the test program to confirm proper operation of the light controller by connecting a momentary switch assembly from terminal X8 on the PLC-PCU to the (-)0 connection of the incoming power terminal block. Each activation of the switch will cause the next relay to energize, continue the cycle through all 64 relays to insure proper operation, then disconnect the switch assembly.

### Technical Information:

- Power Requirements: 24VDC
- Operating Environment: 50-120°F Indoor Non-condensing
- Physical Dimensions: 15.5"W x 18.5"H x 4.25"D
- Mounting: Surface Mount
- Wiring: #22 AWG Minimum

**CORNELL COMMUNICATIONS, INC.**

Milwaukee, Wisconsin USA • 800-558-8957 • 414-351-4660 • Fax 414-351-4657  
www.cornell.com • sales@cornell.com

