



Duty Station DS-110



Description: Cornell DS-110 Duty Station offers immediate Annunciation of any call on the system via tone and red LED on a single status 4000 system.

Operation: The DS-110 Duty Station has a manual high or low volume tone switch that is provided for an audible alert to staff. Steady red LED indication with pulsing tone.

Mounting: The satin finish stainless steel faceplate with silk-screened designations may be flush mounted on a standard outlet box with single-gang plaster ring, or surface mounted on a Wiremold 5748 or equivalent. Field wiring terminations are pigtailed.

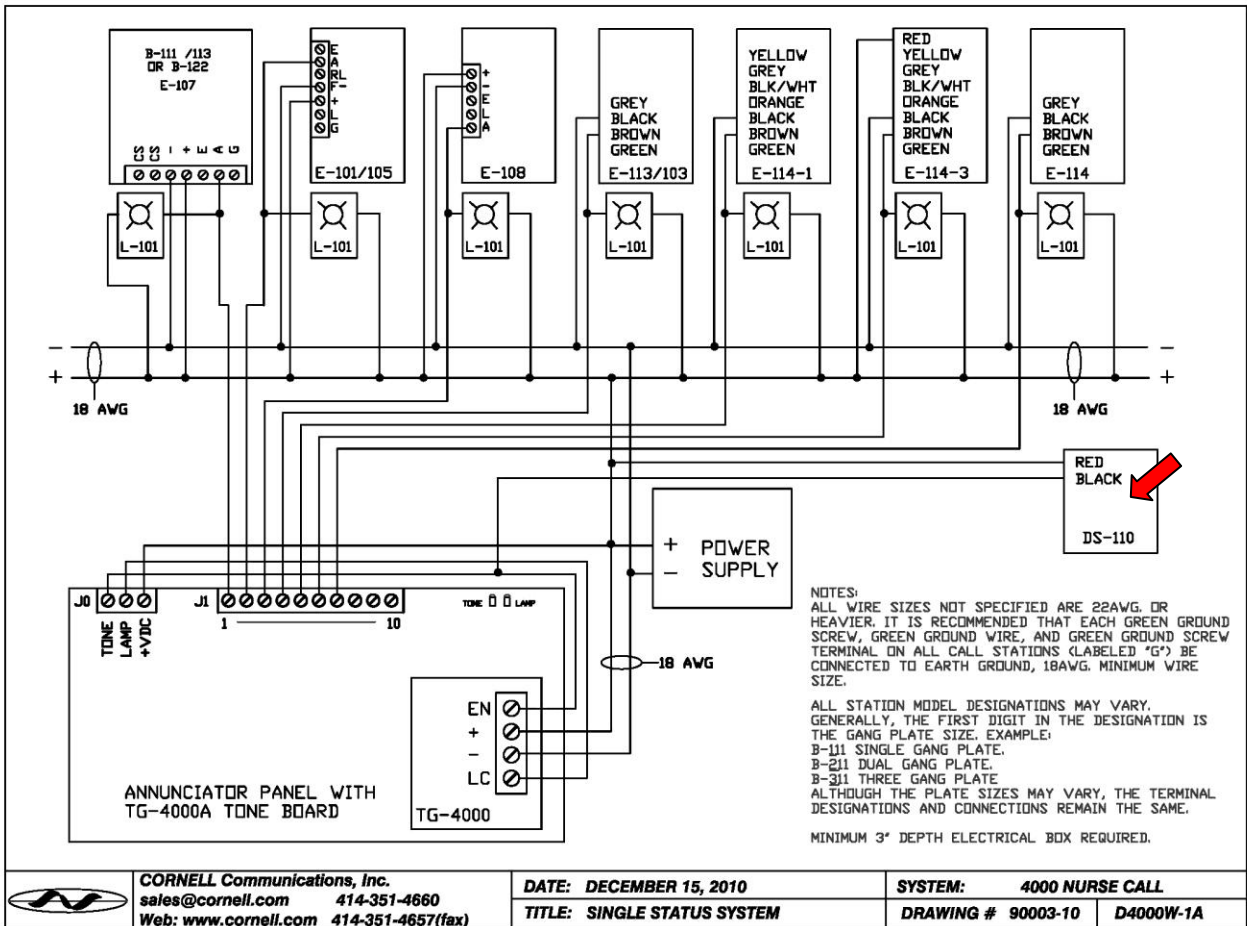
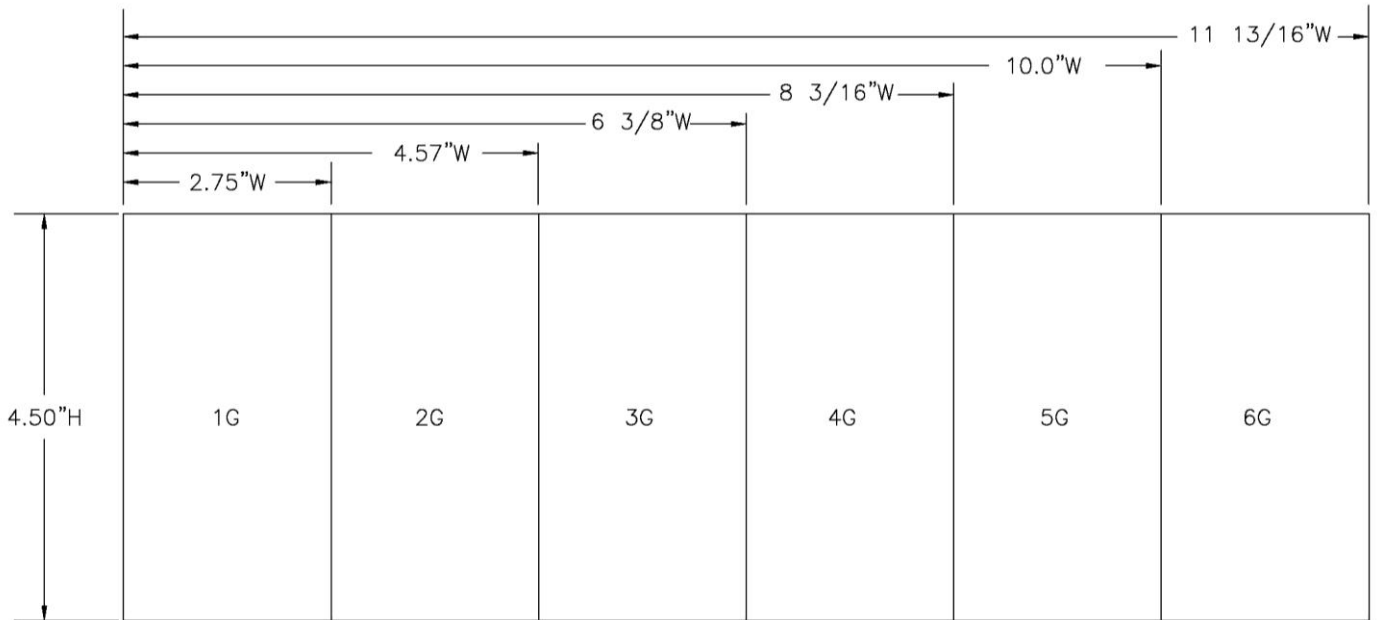
Engineering Specifications: The duty station shall be CORNELL Model DS-110. Incoming emergency calls shall be indicated by a (steady) red LED indicator and pulsing tone. The station shall have a manual switch for High-Low volume. The station shall fit on a standard single gang plaster ring or Wiremold 5748 surface box or equal. Minimum depth shall be 1 ¾". Visual indicators shall be LED's. Incandescent lamps not accepted. Terminations for field wiring shall be pigtailed.

Technical Information:

- Power Requirements: 24VDC
- Operating Environment: 50-120°F Indoor Non-condensing
- Physical Faceplate Dimensions: 4 ½ "H x 2 ¾ "W (1 Gang)
- Mounting: Single-Gang back box with 1¾" minimum depth
- Wiring: Terminations are Pigtailed

Available in 1-6 gang sizes:

*stations are only UL Listed in the 1 gang size



	CORNELL Communications, Inc. sales@cornell.com 414-351-4660 Web: www.cornell.com 414-351-4657(fax)	DATE: DECEMBER 15, 2010 TITLE: SINGLE STATUS SYSTEM	SYSTEM: 4000 NURSE CALL DRAWING # 90003-10 D4000W-1A
--	---	--	---

CORNELL COMMUNICATIONS, INC.

Milwaukee, Wisconsin USA • 800-558-8957 • 414-351-4660 • Fax 414-351-4657
 www.cornell.com • sales@cornell.com

