



## Corridor Lights with Tone LS-201



**Description:** The LS-201, call indicator, is mounted on a double gang, stainless steel plate. The call indicator may be mounted in any position. The dome cover is illuminated by an incandescent lamp (can be configured in 1-3 lamps). The audible tone sounder is a piezoelectric type, black plastic.

**Operation:** When an associated call station is activated, the LS-201 lights and will sound the piezoelectric tone device. The tone will pulse constantly until the station is reset.

**Maintenance:** Dome covers are easily removed from the front for simplified lamp replacement.

**Options:** Corridor lights can be made in 1-3 light configurations with white or red domes. Lights can be made red, blue, amber, yellow, or green with additional filters. Domes can also be silk-screened. Tone can be steady, intermittent, or chime.

**Mounting:** All models mount on standard, double-gang boxes or plaster rings, with a required depth of 1 inch.

**Engineering Specifications:** The contractor shall furnish and install the *CORNELL* LS-201 call indicator corridor lights as indicated on the plans. Faceplates shall be double gang, stainless steel with four mounting screws. Calls shall be indicated by an incandescent lamp covered by a white (or red) translucent plastic cover and a piezoelectric tone device mounted to the side on the finished plate. The sound output shall be 90 db. with 24 VDC input. The complete unit shall consume no more than 115 MA @ 24 VDC.

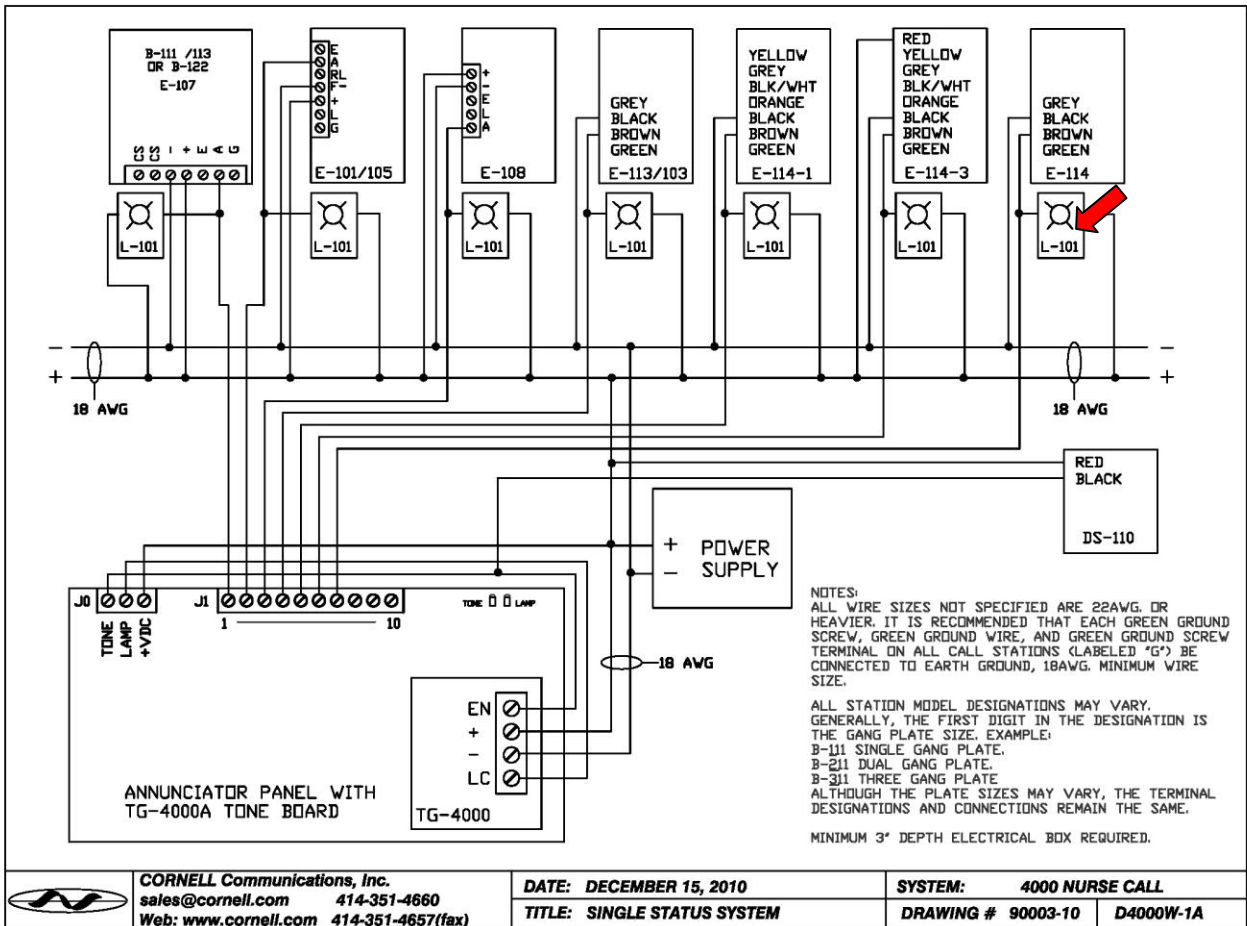
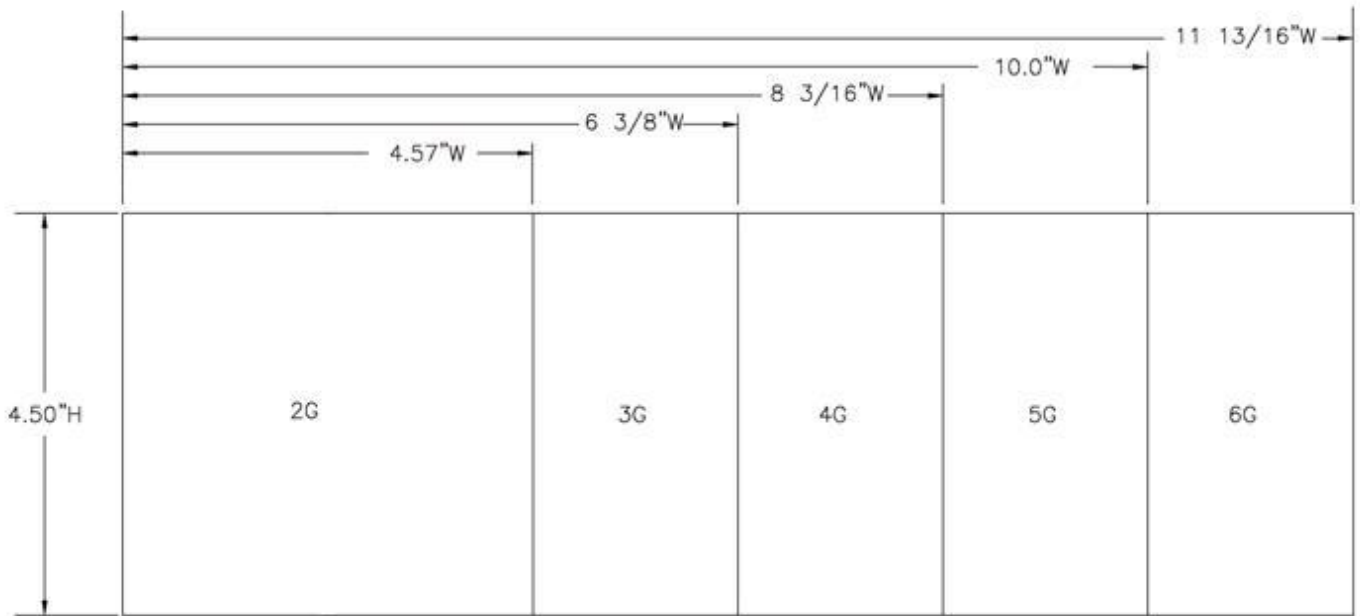
### Technical Information:

- Power Requirements: 24VDC
- Operating Environment: 50-120°F Indoor Non-condensing
- Physical Faceplate Dimensions: 4.5 "H x 4.57 "W (2 Gang)
- Mounting: Double-Gang back box with 1" minimum depth
- Wiring: #22 AWG Minimum

**Available in 2-6 gang sizes:**

\*stations are only UL Listed in the 2 gang size

\* For correct part number, change first number (2) to gang size needed



	<b>CORNELL Communications, Inc.</b> sales@cornell.com 414-351-4660 Web: www.cornell.com 414-351-4657(fax)	<b>DATE: DECEMBER 15, 2010</b>	<b>SYSTEM: 4000 NURSE CALL</b>
		<b>TITLE: SINGLE STATUS SYSTEM</b>	<b>DRAWING # 90003-10 D4000W-1A</b>

